



# RUBBLECRUSHER

A McLanahan Company

## SPARE PARTS CATALOGUE

Subject To Change Without Prior Notice



RC -J65



# Table of Content

<b>1</b>	<b>Spare Parts Ordering Information .....</b>	<b>1-1</b>
1.1	Spare Parts Order Form.....	1-2
<b>2</b>	<b>Spare Parts .....</b>	<b>2-1</b>
2.1	<b>Feed Hopper .....</b>	<b>2-3</b>
(1)	Hopper Assembly .....	2-5
2.2	<b>Jaw Crusher.....</b>	<b>2-7</b>
(1)	Jaw Plates, Wedges, Cheek & Wear Plates .....	2-9
(2)	Drive Motor & Mounting Assembly .....	2-11
(3)	Flywheel Assemblies .....	2-13
(4)	Drive-Side Outer Bearing Assembly.....	2-15
(5)	Drive-Side Inner Bearing Assembly.....	2-17
(6)	Non-Drive Side Outer Bearing Assembly .....	2-19
(7)	Non-Drive Side Inner Bearing Assembly.....	2-21
(8)	Eccentric Shaft & Jawstock.....	2-23
(9)	Toggle Plate Assembly .....	2-25
(10)	Spring Tensioner Assembly .....	2-27
(11)	Wedge Adjustment Assembly.....	2-29
(12)	Spring Tension Support Frame.....	2-31
(13)	Wedge Adjustment Support Frame .....	2-33
(14)	Inner Side-Wall Assembly .....	2-35
(15)	Side & Back Wall Assembly .....	2-37
2.3	<b>Main Discharge Conveyor .....</b>	<b>2-39</b>
(1)	Conveyor Belt, Emergency Stops, Support Ropes & Fixings.....	2-41
(2)	Upper Section - Nylon Slider, Drive System, Rollers & Fixings.....	2-43
(3)	Lower Section - Optional Magnet Discharge Chutes, Supports, Idler Drum & Bearings.....	2-45
(4)	Lower Section - Nylon Slider, Scraper, Skirting Rubbers, Rollers & Fixings .....	2-47
(5)	Lower Section - Hydraulic Cylinders, Linkage & Pins .....	2-49
2.4	<b>Magnet Discharge Conveyor.....</b>	<b>2-51</b>
(1)	Support Frame, Turn-buckles & Fixings .....	2-53

- 2.5 Chassis.....2-55**
  - (1) Covers, Brackets, Hydraulic Fittings, Discharge Chute & Rubbers.....2-57
  - (2) Track Frame, Chassis Walls, Guards.....2-59
- 2.6 Crawler Tracks.....2-61**
  - (1) Crawler Track Assembly.....2-63
- 2.7 CAT C1.7 Power Unit.....2-65**
  - (1) Flywheel Covers & Guards.....2-67
  - (2) 4 Station Block, Power Unit Door Assemblies.....2-69
  - (3) Power Unit Roof Assembly.....2-71
  - (4) Door Posts, Electrical & Hydraulic Components.....2-73
  - (5) Connector Plugs, Water Separator, Isolator, Electric Lift Pump, Engine Mounts.....2-75
  - (6) Coolant Sensor, Filter Elements, Air & Exhaust System.....2-77
  - (7) Drive System.....2-79
- 2.8 CAT C2.2 Power Unit.....2-81**
  - (1) Flywheel Covers & Guards.....2-83
  - (2) 4 Station Block, Power Unit Door Assemblies.....2-85
  - (3) Power Unit Roof Assembly.....2-87
  - (4) Door Posts, Electrical & Hydraulic Components.....2-89
  - (5) Priming Pump, Water Separator, Isolator, Engine Mounts.....2-91
  - (6) Air & Exhaust System.....2-93
  - (7) Drive System.....2-95
- 2.9 Fuel Tank.....2-97**
  - (1) Fuel Tank Assembly.....2-99
- 2.10 Hydraulic Oil Tank & Hydraulic Components.....2-101**
  - (1) Hydraulic Oil Tank Assembly.....2-103
  - (2) 2 Station Block & Cetop.....2-105
    - (a) 2 Station Block.....2-107
  - (3) CETOP 5 Tracked Assembly.....2-109
  - (4) Hydraulic Oil Cooler.....2-111
- 2.11 Optional - Radio Remote.....2-113**
  - (1) Optional - Radio Remote Types.....2-115
- 2.12 Optional - Spray Bar.....2-117**
  - (1) Optional - Spray Bar Assembly.....2-119

**3 Record of Revision ..... 3-1**

# 1 Spare Parts Ordering Information

---

To ensure that you receive the parts you require without delay we will require the following information at the time of order:

- Your company name and delivery address.
- Your contact name and number.
- The machine serial number (see below for details).

## **The machine model number (see below for details).**

- The part number.
- The part description.
- The quantity required.

**Note: Ensure that you order all the required parts such as bolts and washers etc. Do not assume that such items will automatically be sent with main components.**

An order form has been provided on the next page. Please use it to order your parts. If you require individual order forms please contact the RUBBLECRUSHER spare parts department.

To order spares please contact:

**RUBBLECRUSHER HQ**  
**Little Alton Farm,**  
**The Altons,**  
**Ravenstone,**  
**Coalville,**  
**LE672AA**  
**Tel: +44 01530 563600**  
**Email: [info@rubblecrusher.com](mailto:info@rubblecrusher.com)**

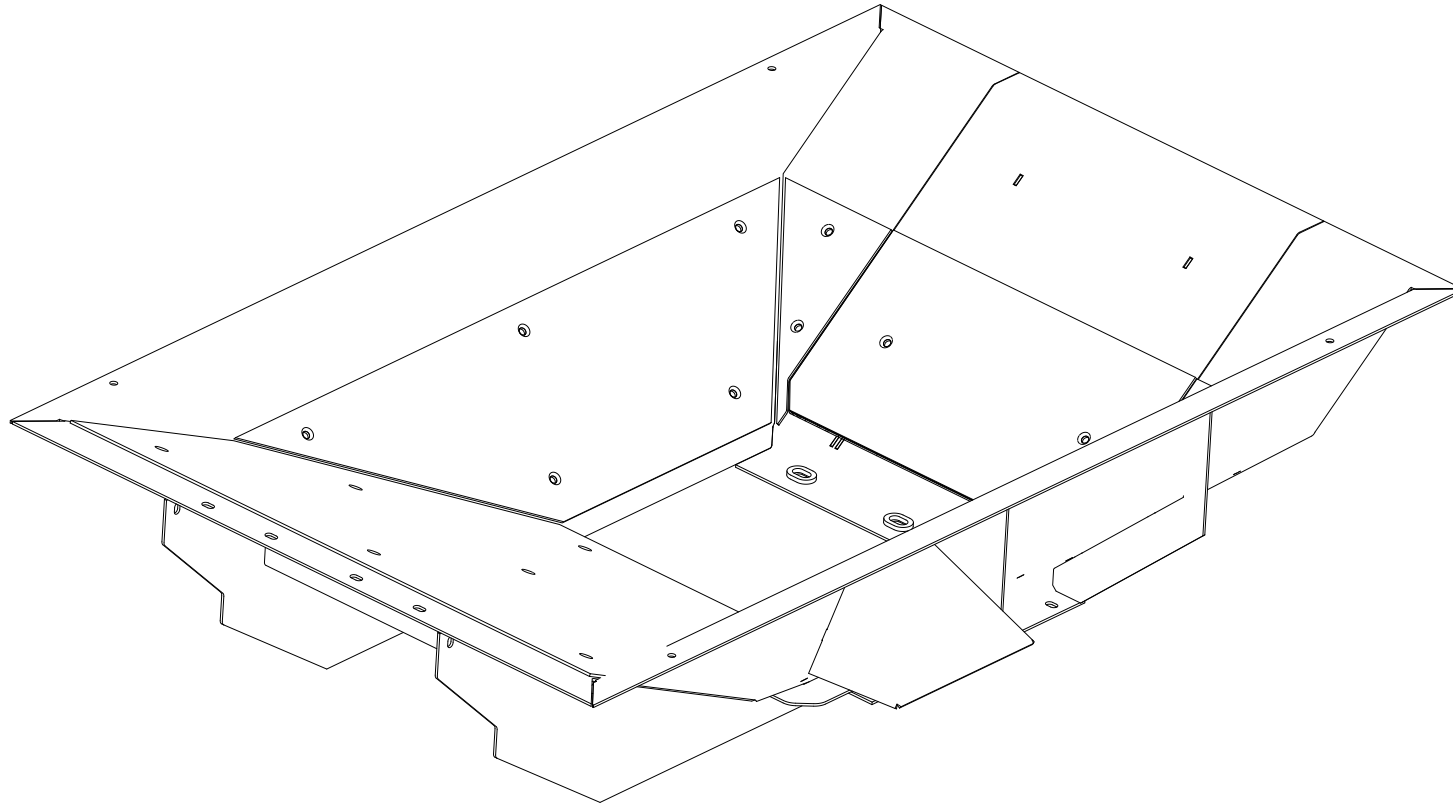


## 2 Spare Parts

Intentionally Left Blank.

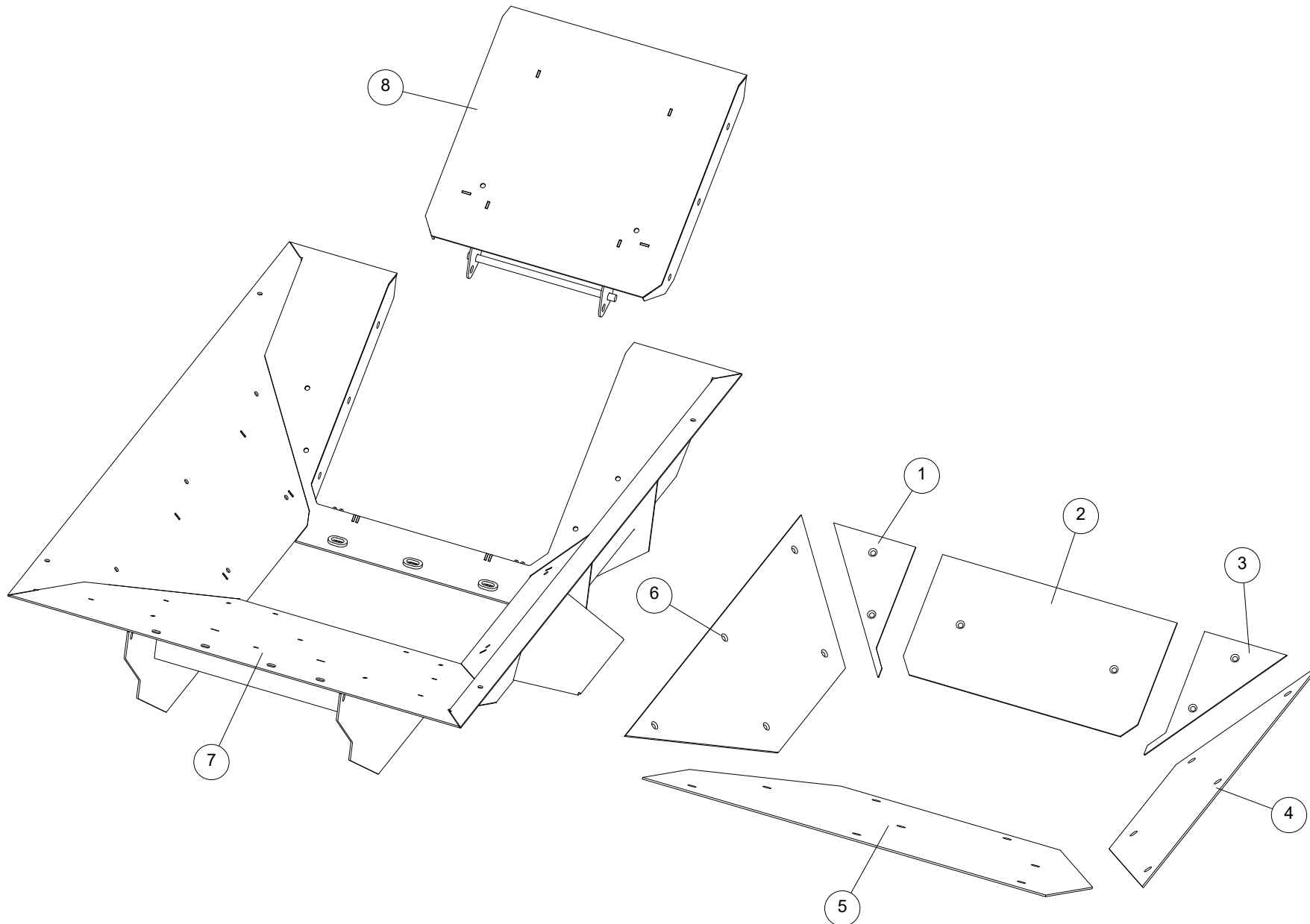
## 2.1 Feed Hopper

---



Intentionally Left Blank.

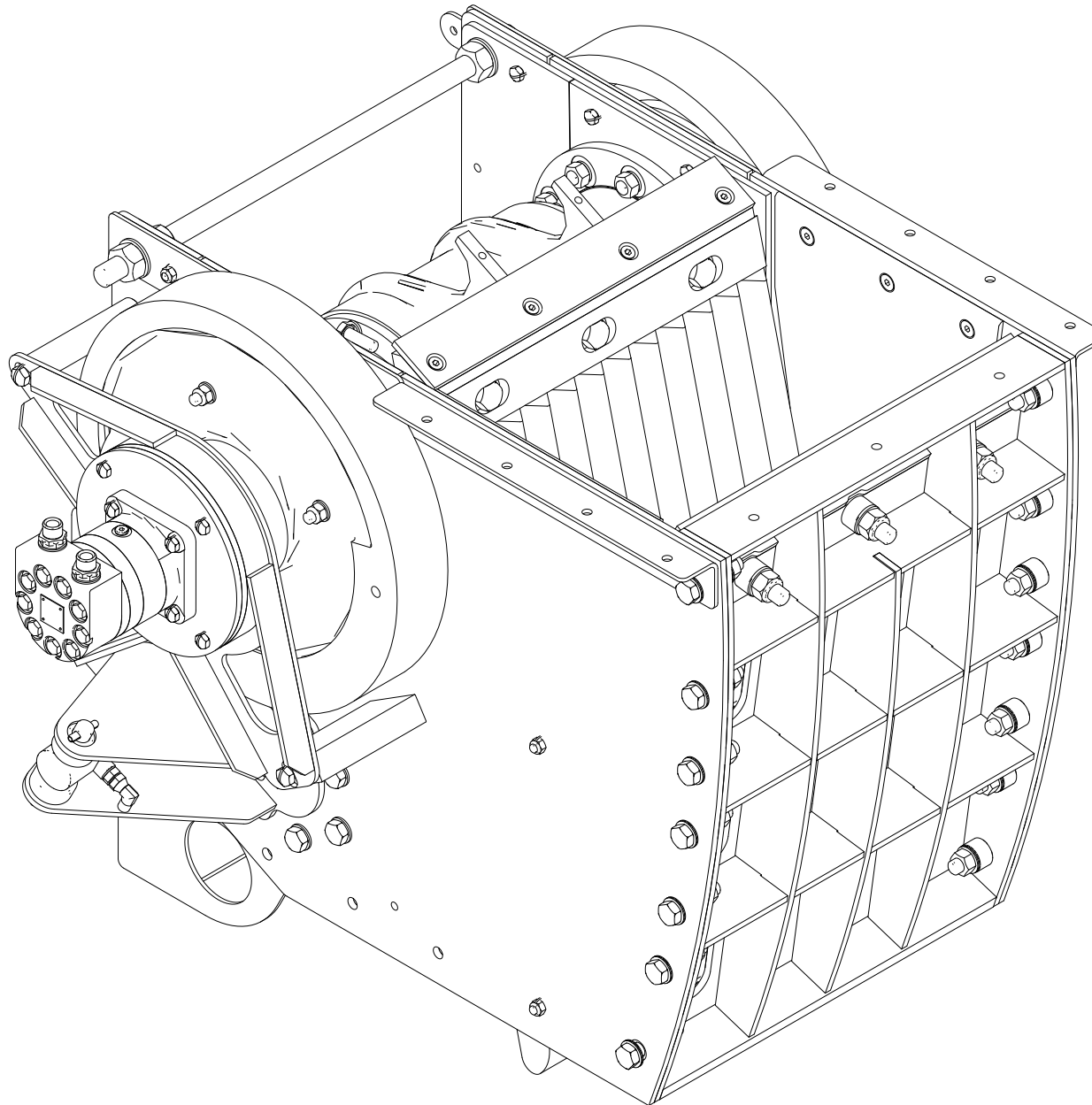
## (1) Hopper Assembly



---

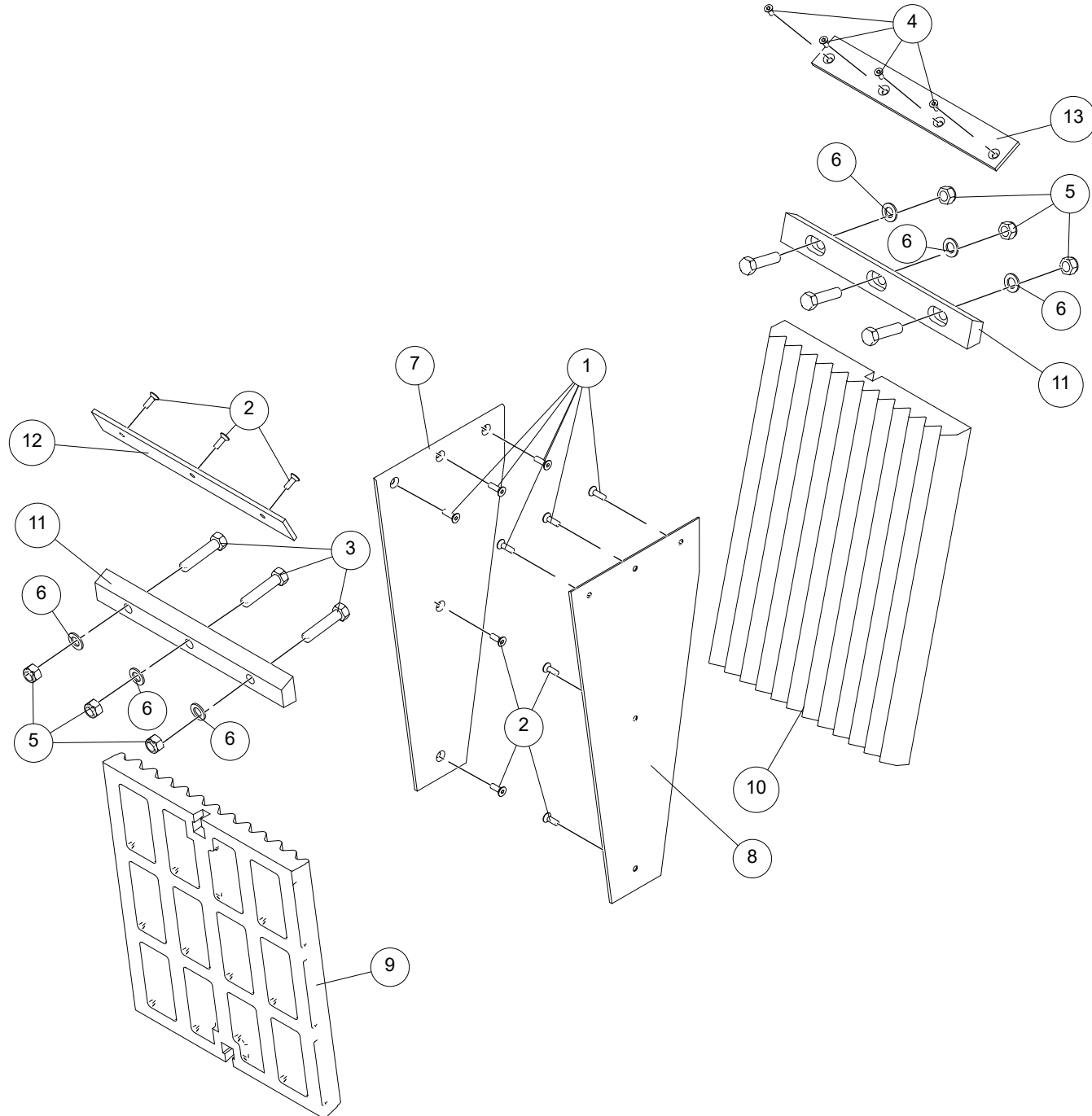
<b>ITEM</b>	<b>PART NUMBER</b>	<b>DESCRIPTION</b>	<b>QTY</b>
1	525-003-000-006.PRT	HOPPER FRONT WEAR PLATE	1
2	525-003-000-004.PRT	HOPPER DOOR WEAR PLATE	1
3	525-003-000-005.PRT	HOPPER FRONT WEAR PLATE	1
4	525-003-000-002.PRT	HOPPER RH SIDE WEAR PLATE	1
5	525-003-000-001.PRT	HOPPER REAR WEAR LINER	1
6	525-003-000-003.PRT	HOPPER LH SIDE WEAR PLATE	1
7	525-003-001.ASM	HOPPER WELDMENT	1
8	525-003-002.ASM	HOPPER DOOR	1

## 2.2 Jaw Crusher



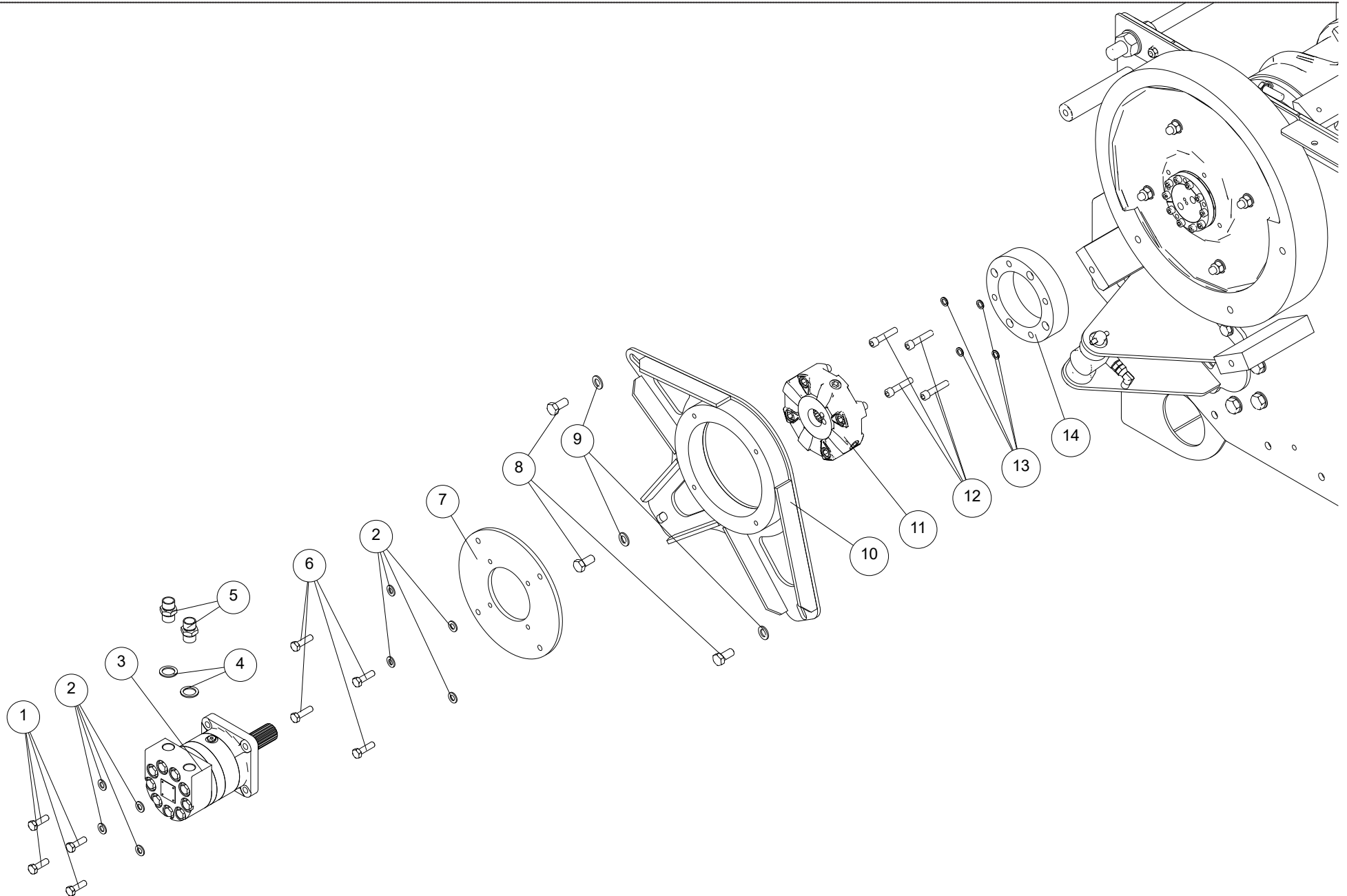
Intentionally Left Blank.

**(1) Jaw Plates, Wedges, Cheek & Wear Plates**



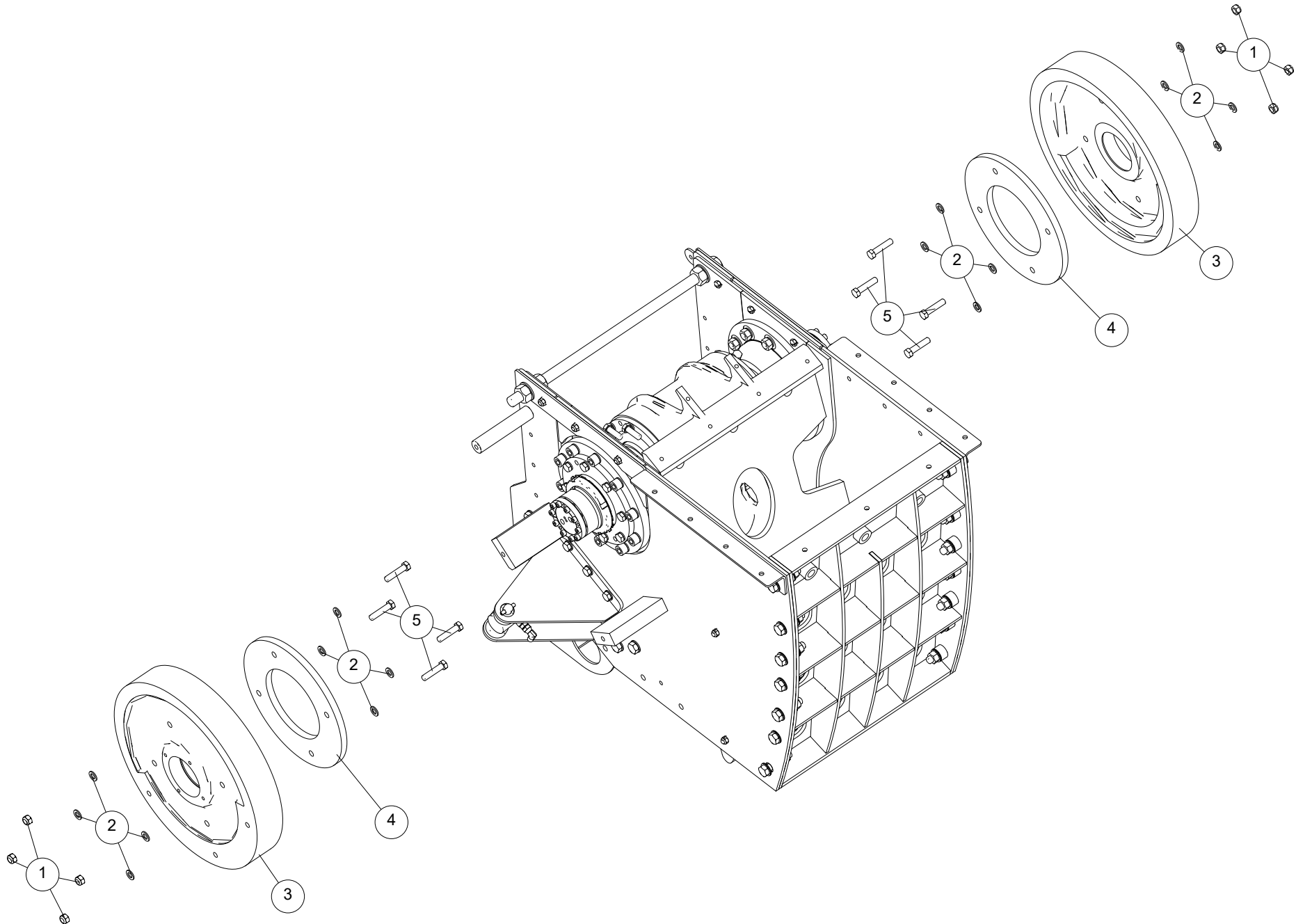
ITEM	PART NUMBER	DESCRIPTION	QTY
1	006-12040.PRT	SCREW SKT CSK M12 X 40 BS4168 12.9 BZP	6
2	006-12035.PRT	SCREW SKT CSK M12 X 35 BS4168 12.9 BZP	7
3	062-24110.PRT	BOLT HEX M24x110 BS 3692 8.8 BZP	3
4	006-10025.PRT	SCREW SKT CSK M10 x 25 BS4168 12.9 BZP	4
5	013-24.PRT	NUT HEX PHILIDAS MKV M24 GR8	6
6	021-24.PRT	WASHER PLAIN M24 BS3420 FORM A BZP	6
7	CX150-133-RH.PRT	CHEEK PLATE	1
8	CX150-133-LH.PRT	CHEEK PLATE	1
9	CX150-333.PRT	JAWPLATE - FIXED	1
10	CX150-334.PRT	JAWPLATE - SWINGJAW	1
11	CX150-119.PRT	JAWPLATE WEDGE	2
12	CX150-150.PRT	WEAR PLATE	1
13	CX150-151.PRT	JAW GUARD	1

## (2) Drive Motor & Mounting Assembly



ITEM	PART NUMBER	DESCRIPTION	QTY
1	062-12040.PRT	BOLT HEX M12x40 BS 3692 8.8 BZP	4
2	021-12.PRT	WASHER PLAIN M12 BS4320 FORM A	8
3	S206-16.ASM	MTM 200 4 BOLT SQUARE 17T SHAFT	1
4	024-105-.PRT	DOWTY SEAL 3/4" BSP	2
5	AD1B1212.PRT	ADAPTOR M/M 3/4"-3/4"BSP	2
6	062-12045.PRT	BOLT HEX M12x45 BS 3692 8.8 BZP	4
7	CX160-179.PRT	MOTOR SPACER	1
8	062-16035.PRT	BOLT HEX M16X35 BS3692 8.8 BZP	3
9	021-16.PRT	WASHER PLAIN M16 BS 4320 FORM A BZP	3
10	CX160-176.ASM	MOTOR PLATE	1
11	S116-10.PRT	COUPLING CF-A-050	1
12	004-12060.PRT	CAPSCREW M12X60 BS4168 12.9 BZP	4
13	028-12_NL12-NORD-LOCK	NORDLOCK WASHER M12 NL12	4
14	CX251-123	DRIVE ADAPTOR	1

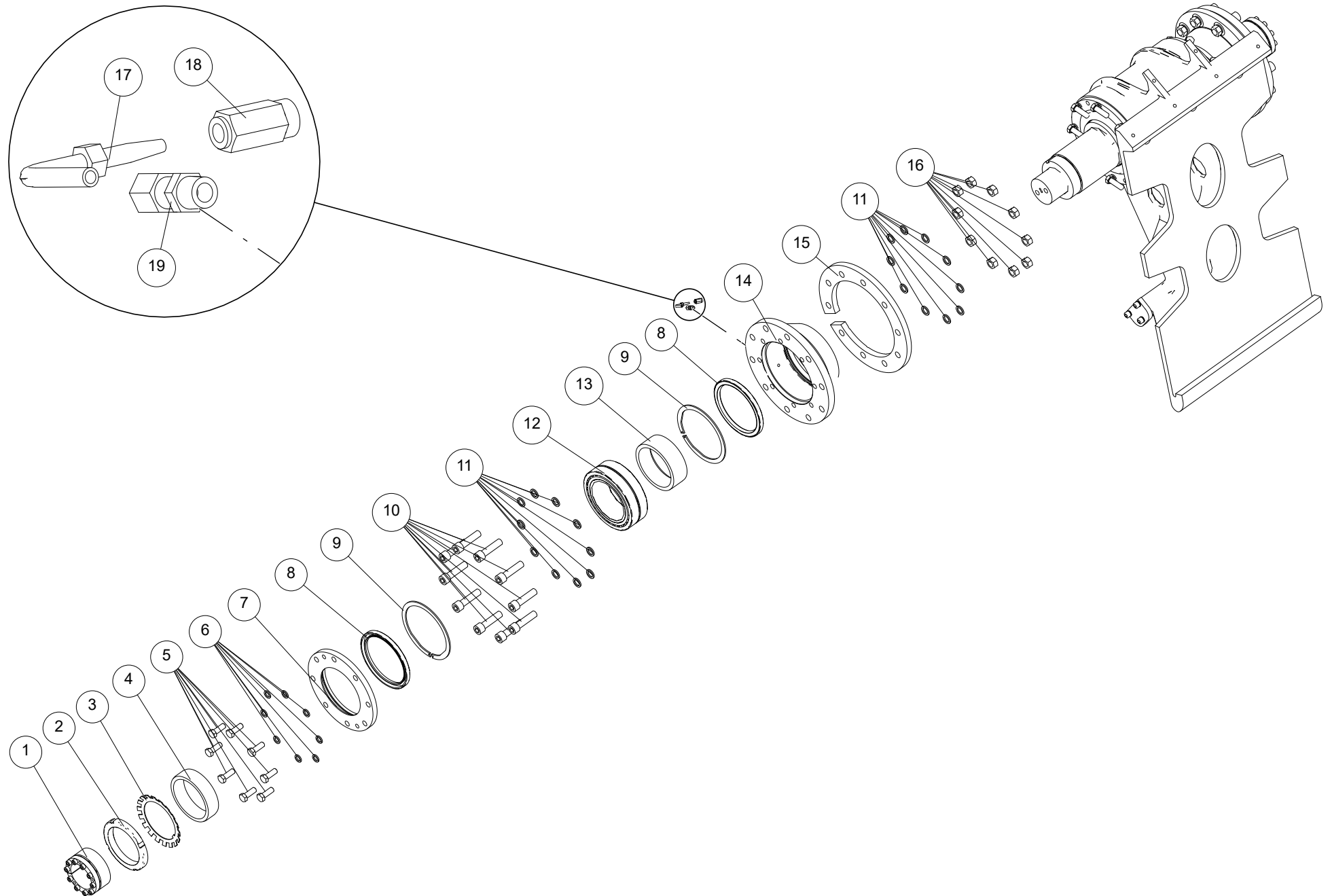
### (3) Flywheel Assemblies



---

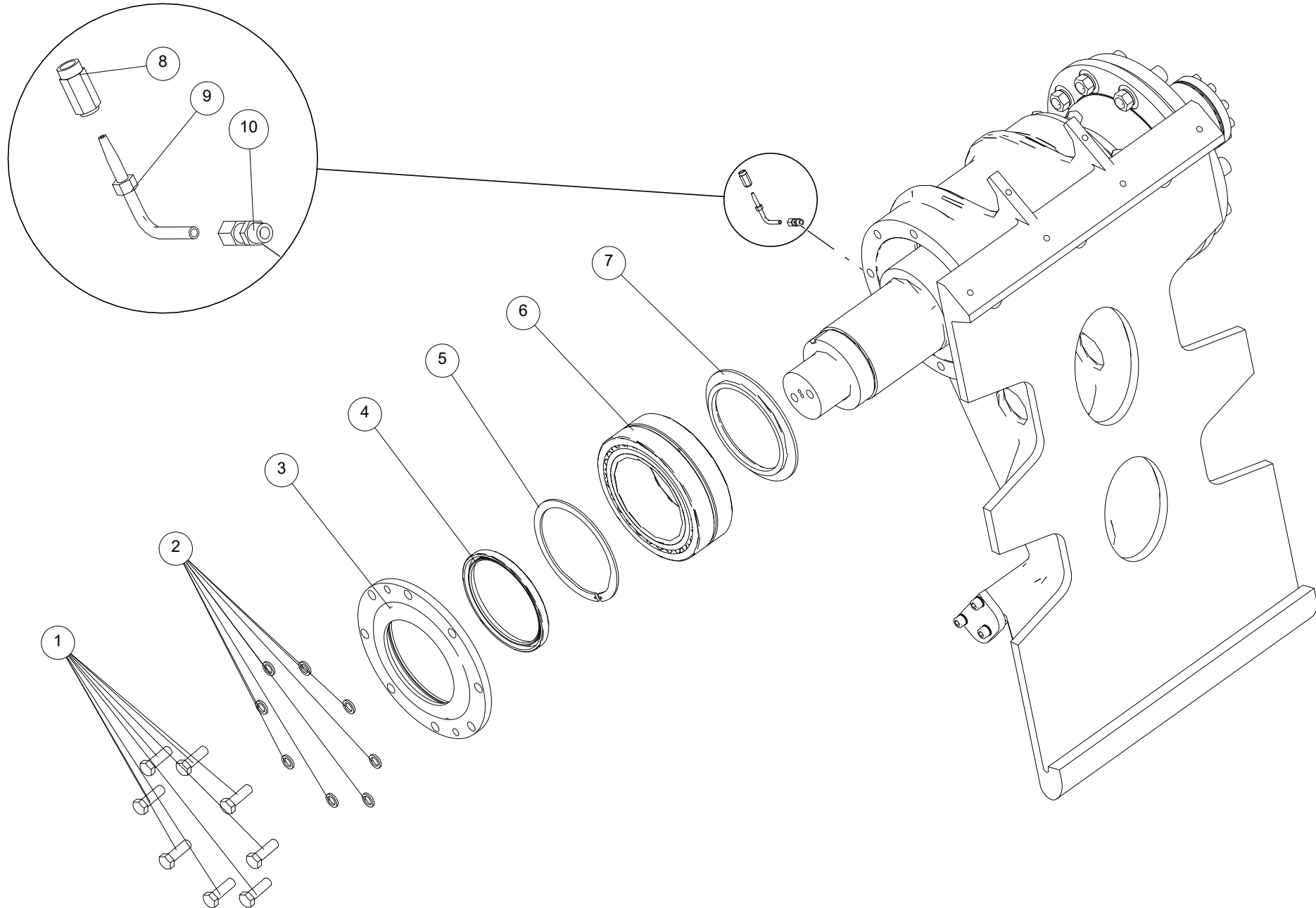
ITEM	PART NUMBER	DESCRIPTION	QTY
1	013-16_1.PRT	NUT PHILIDAS MKV M16 8 BZP	8
2	021-16_1.PRT	WASHER PLAIN M16 BS4320 FORM A BZP	16
3	CX160-856.PRT	DRIVE-SIDE FLYWHEEL	2
4	CX150-115-02.PRT	NON-DRIVE SIDE FLYWHEEL	2
5	062-16070_1.PRT	BOLT HEX M16X70 BS3692 BZP	8

### (4) Drive-Side Outer Bearing Assembly



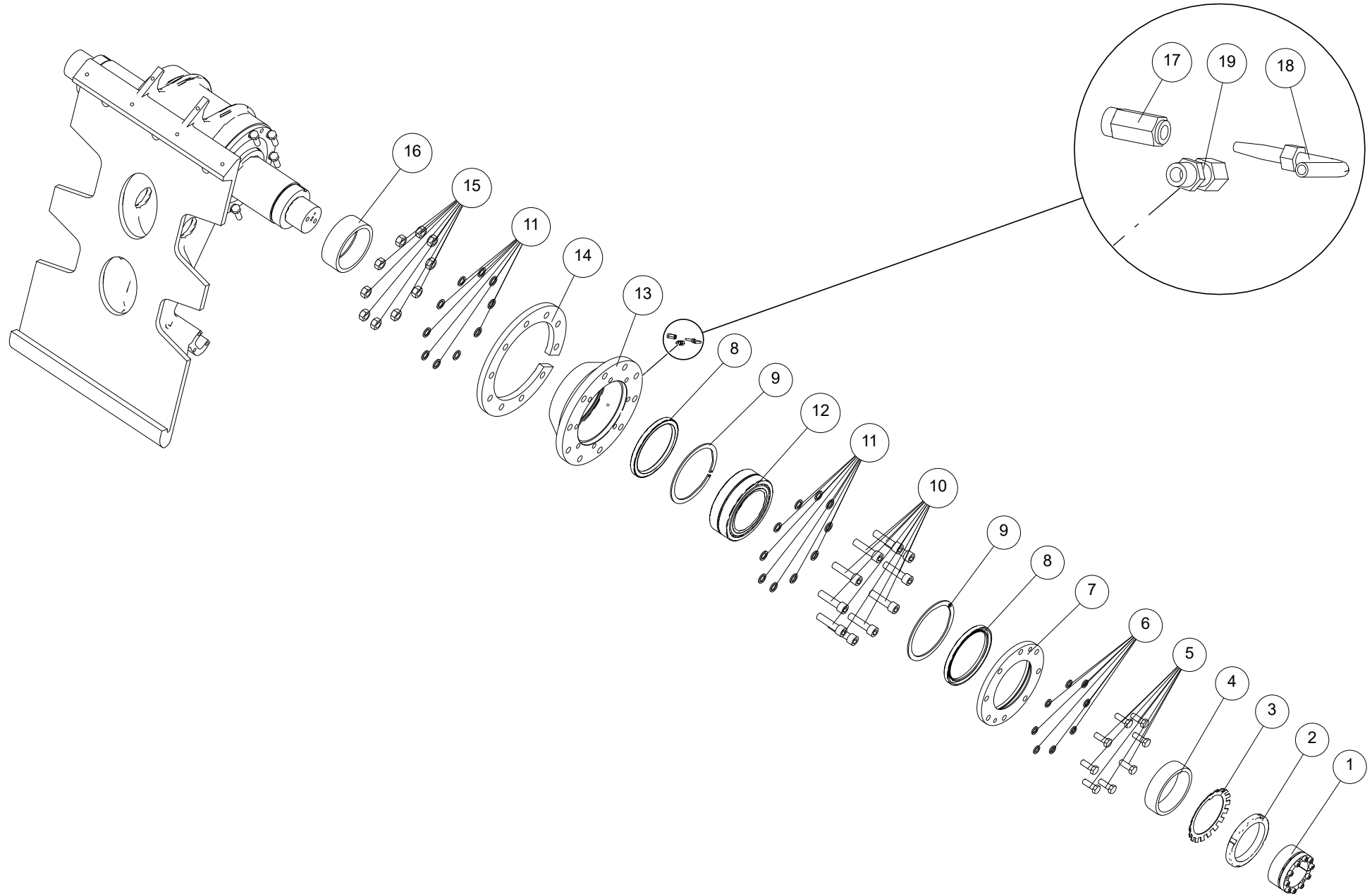
ITEM	PART NUMBER	DESCRIPTION	QTY
1	S115-7004090130.ASM	RINGFEDER 7004 ECOLOC 90X130	1
2	S256-67.PRT	LOCKNUT KM27	1
3	S264-27.PRT	LOCKWASHER MB27	1
4	CX150-113.PRT	SPACER (OUTER)	1
5	062-16045.PRT	BOLT HEX M16X45 BS3692 8.8 BZP	8
6	028-16_NL16-NORD-LOCK	WASHER NORD-LOCK M16 NL-16	8
7	CX150-114.PRT	BRG HSG CLOSURE	1
8	CX150-112.PRT	SEAL	2
9	118-472200_200.PRT	CIRCLIP DIN 472 INT200MM	2
10	004-20080.PRT	CAPSCREW M20X80 BS4168 12.9	10
11	028-20_NL20-NORD-LOCK	WASHER NORD-LOCK M20 NL-20	20
12	CX150-108.ASM	ROLLER BEARING	1
13	CX150-111.PRT	SPACER	1
14	CX150-106.PRT	BEARING HSG (FREE)	1
15	CX150-140.PRT	BOLT SUPPORT RING	1
16	018-20.PRT	NUT HEX M20 BS3692 GR 12 BZP	10
17	S184-02.PRT	S/P 6 MM 90DEG	1
18	S184-01.PRT	FERRULE	1
19	S184-04.PRT	MALE CONNECTOR 1/8"BSP-6mm	1

### (5) Drive-Side Inner Bearing Assembly



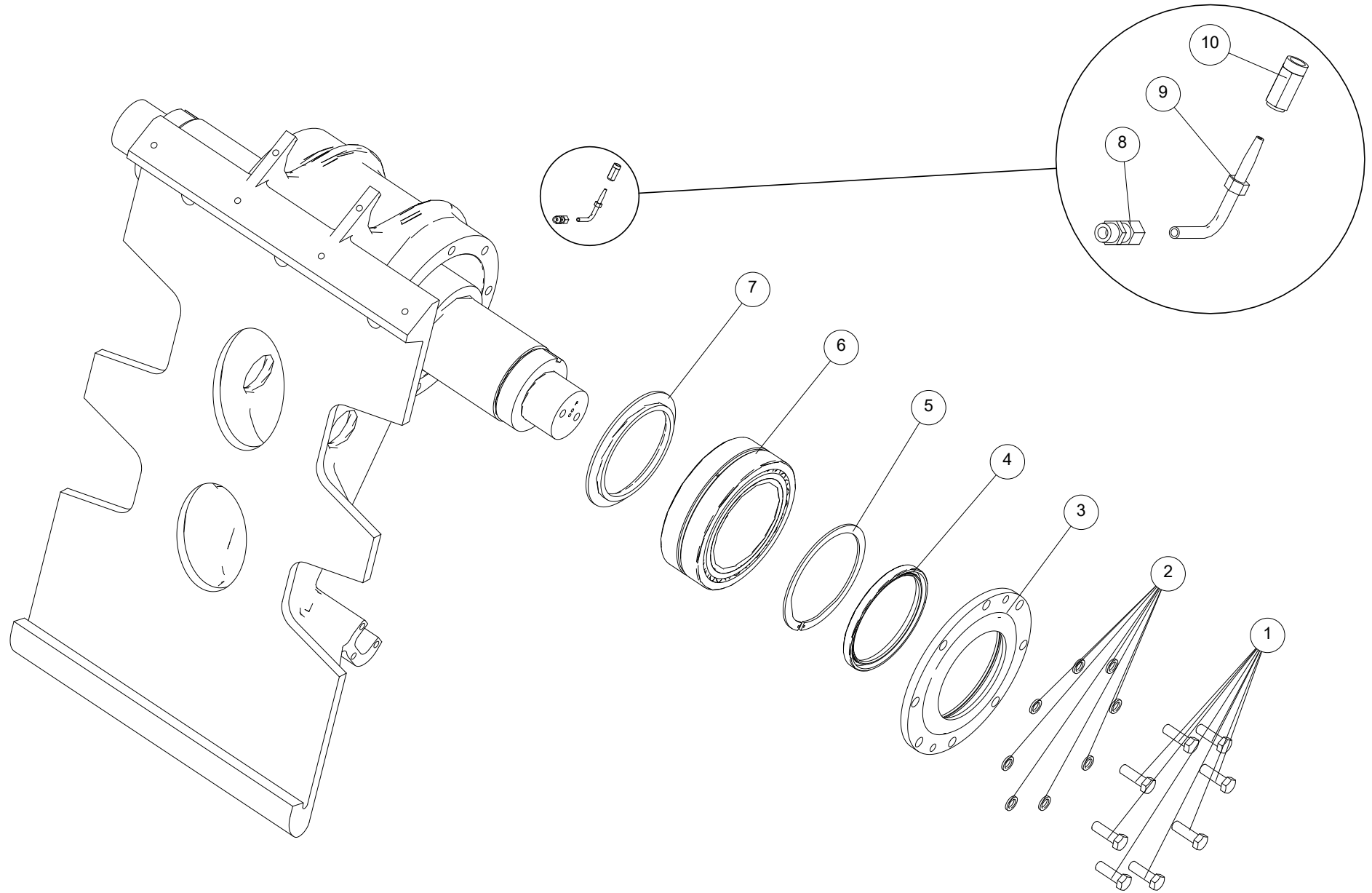
ITEM	PART NUMBER	DESCRIPTION	QTY
1	062-16050.PRT	BOLT HEX M16X50 BS3692 8.8 BZP	8
2	028-16_NL16-NORD-LOCK	WASHER NORD-LOCK M16 NL-16	8
3	CX150-103.PRT	JAWSTOCK SEAL HOLDER	1
4	CX150-104.PRT	SEAL	1
5	118-472200_190.PRT	CIRCLIP DIN 472 INT200 MM	1
6	S259-16.ASM	BEARING	1
7	CX150-101.PRT	SPACER (INNER)	1
8	S184-01.PRT	FERRULE	1
9	S184-02.PRT	S/P 6 MM 90DEG	1
10	S184-04.PRT	MALE CONNECTOR 1/8" BSP-6MM	1

**(6) Non-Drive Side Outer Bearing Assembly**



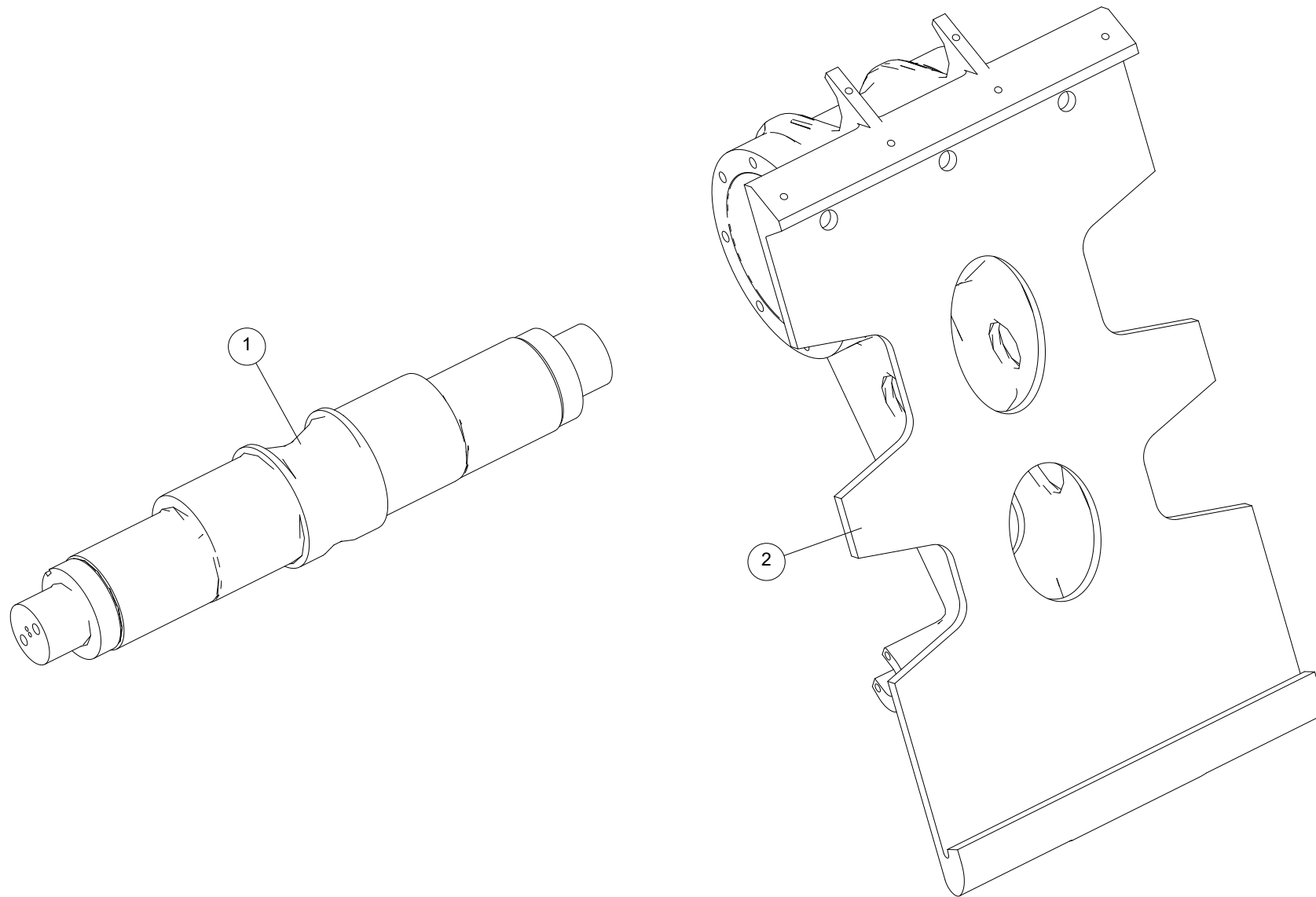
ITEM	PART NUMBER	DESCRIPTION	QTY
1	S115-7004090130.ASM	RINGFEDER 7004 ECOLOC 90X130	1
2	S256-67.PRT	LOCKNUT KM27	1
3	S264-27.PRT	LOCKWASHER MB27	1
4	CX150-113.PRT	SPACER (OUTER)	1
5	062-16045.PRT	BOLT HEX M16X45 BS3692 8.8 BZP	8
6	028-16_NL16-NORD-LOCK	WASHER NORD-LOCK M16 NL-16	8
7	CX150-114.PRT	BRG HSG CLOSURE	1
8	CX150-112.PRT	SEAL	2
9	S118-472200.PRT	CIRCLIP DIN 472 INT200mm	2
10	004-20080.PRT	CAPSCREW M20X80 BS4168 12.9	10
11	028-20_NL20-NORD-LOCK	WASHER NORD-LOCK M20 NL-20	19
12	S259-17.ASM	BEARING	1
13	CX150-126.PRT	BEARING HSG	1
14	CX150-140.PRT	BOLT SUPPORT RING	1
15	018-20.PRT	NUT HEX M20 BS3692 GR 12 BZP	10
16	CX150-111.PRT	SPACER	1
17	S184-01.PRT	FERRULE	1
18	S184-02.PRT	S/P 6 MM 90DEG	1
19	S184-04.PRT	MALE CONNECTOR 1/8"BSP-6 MM	1

**(7) Non-Drive Side Inner Bearing Assembly**



ITEM	PART NUMBER	DESCRIPTION	QTY
1	062-16050.PRT	BOLT HEX M16X50 BS3692 8.8 BZP	8
2	028-16_NL16-NORD-LOCK	WASHER NORD-LOCK M16 NL-16	8
3	CX150-103.PRT	JAWSTOCK SEAL HOLDER	1
4	CX150-104.PRT	SEAL	1
5	118-472200_190.PRT	CIRCLIP DIN 472 INT200 MM	1
6	S259-16.ASM	BEARING	1
7	CX150-101.PRT	SPACER (INNER)	1
8	S184-04.PRT	MALE CONNECTOR 1/8" BSP-6 MM	1
9	S184-02.PRT	S/P 6 MM 90DEG	1
10	S184-01.PRT	FERRULE	1

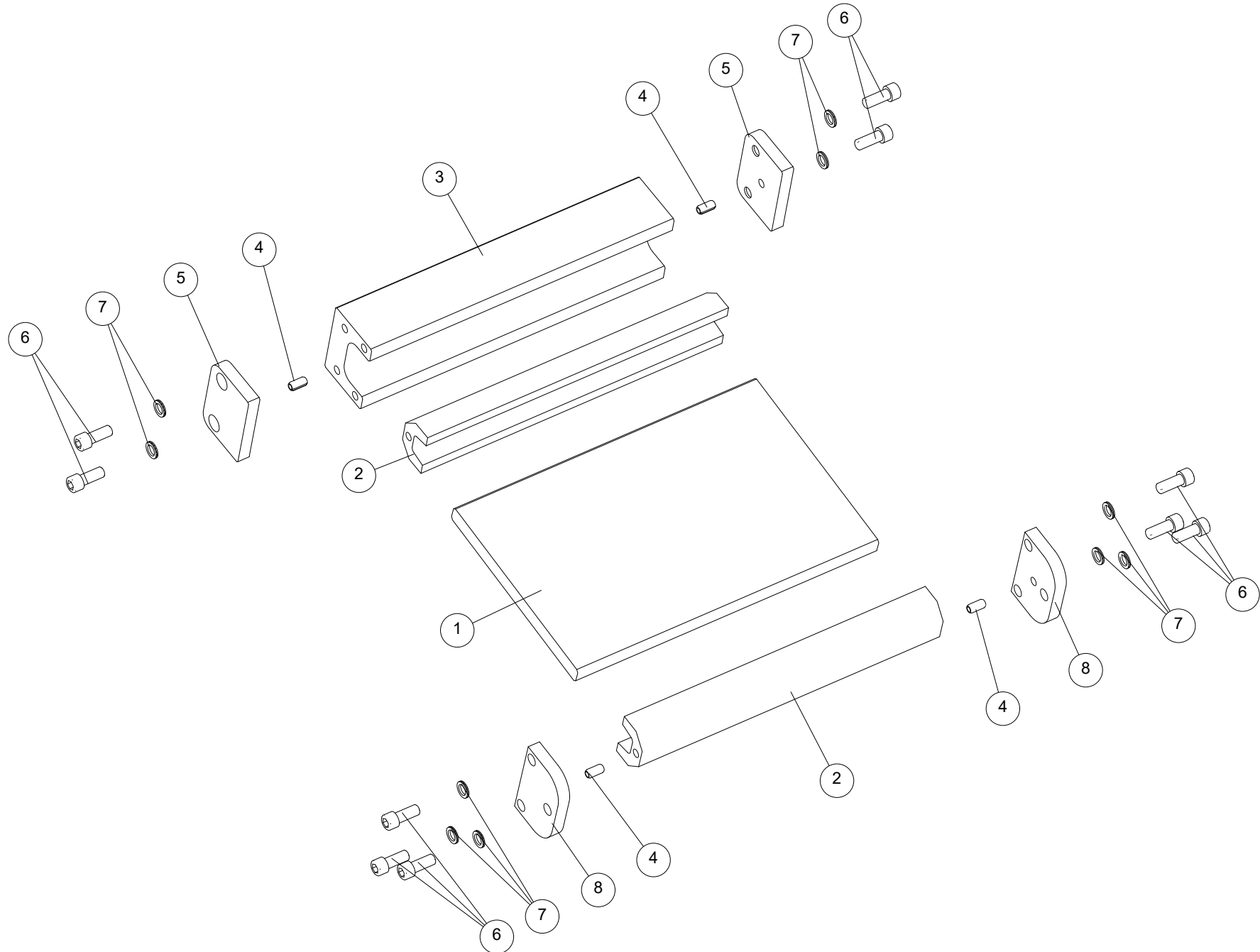
**(8) Eccentric Shaft & Jawstock**



---

ITEM	PART NUMBER	DESCRIPTION	QTY
1	CX150-100.PRT	ECCENTRIC SHAFT	1
2	CX150-109.PRT	JAWSTOCK	1

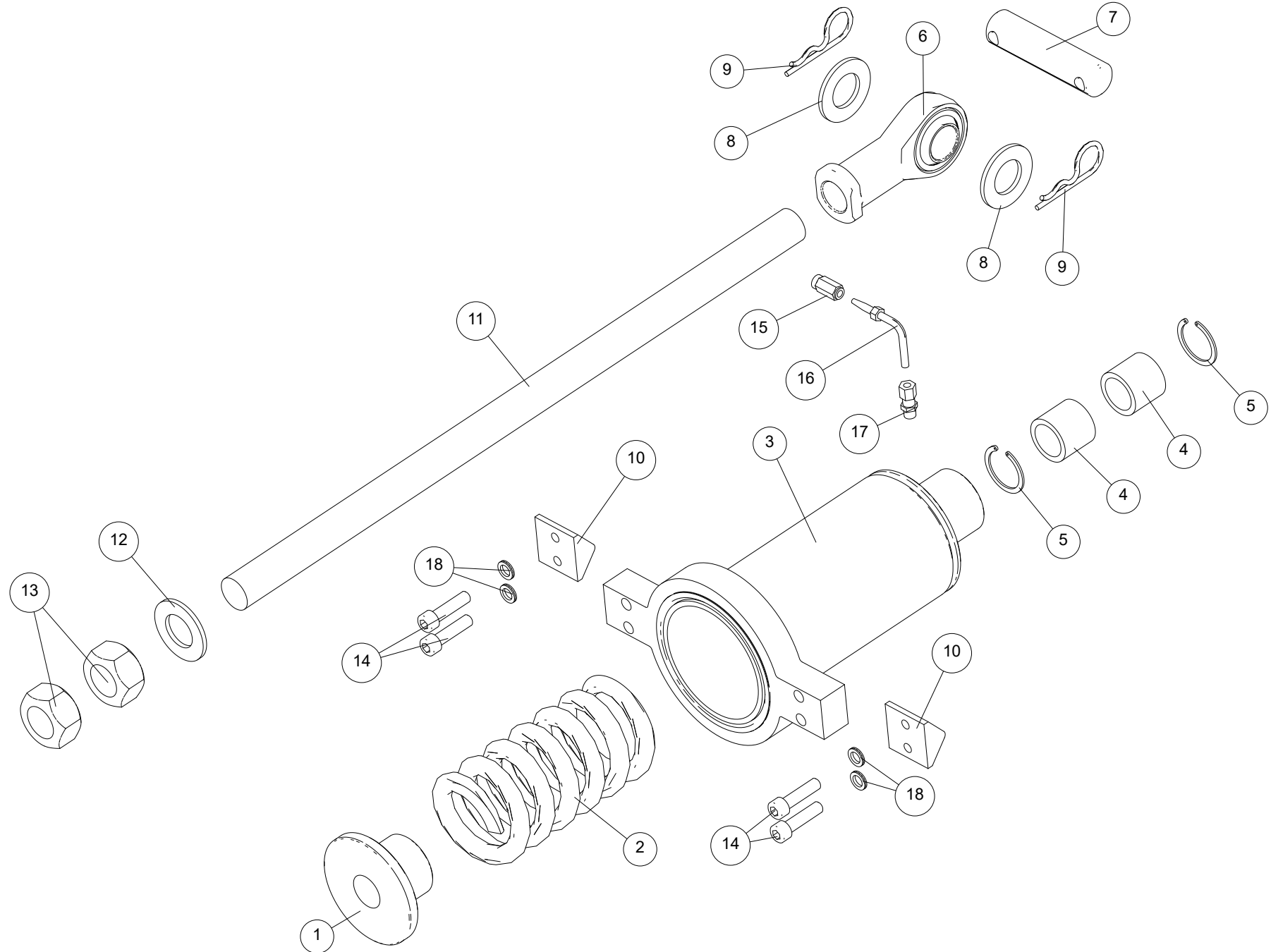
**(9) Toggle Plate Assembly**



---

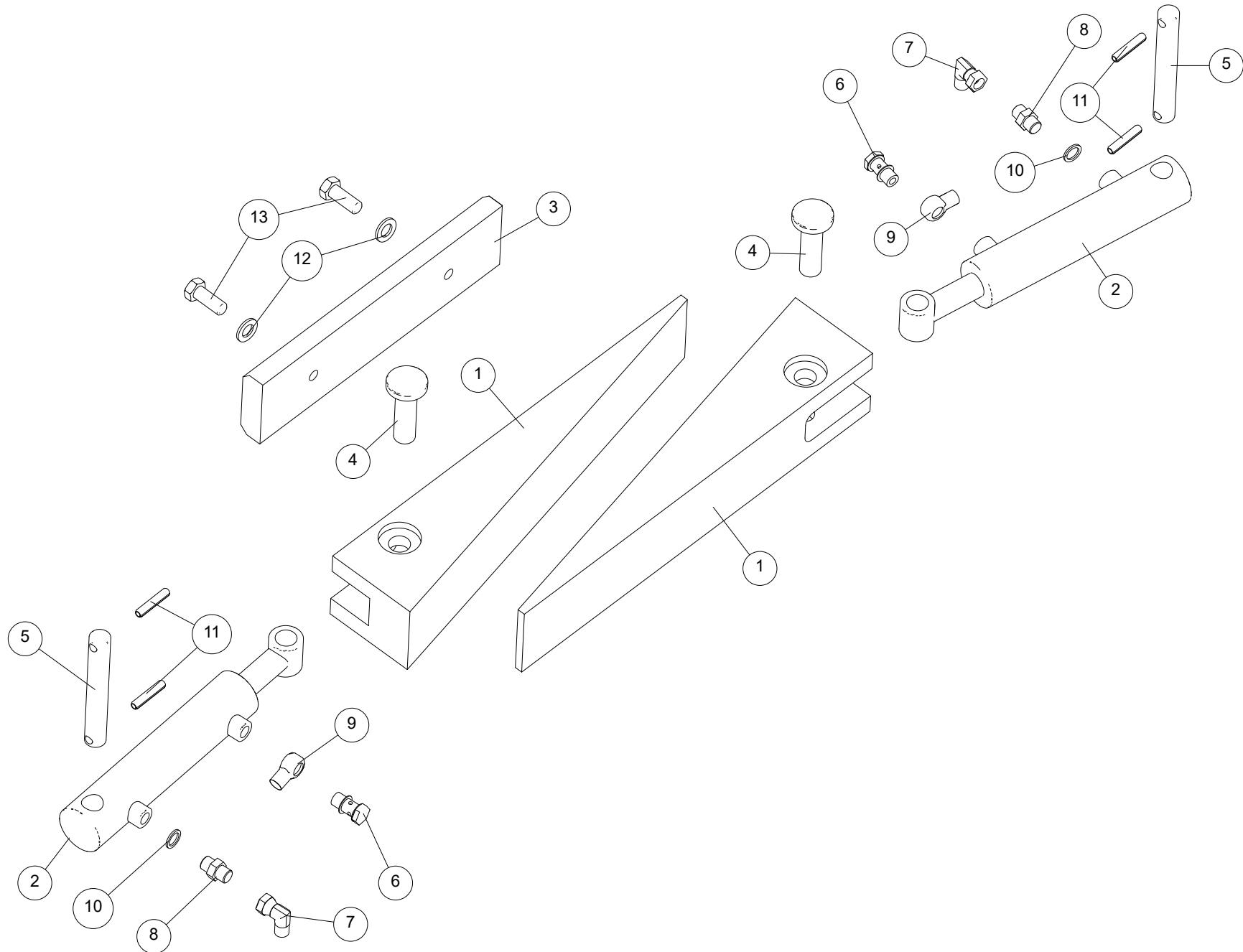
ITEM	PART NUMBER	DESCRIPTION	QTY
1	CX150-117.PRT	TOGGLE PLATE	1
2	CX150-116.PRT	TOGGLE SEAT	2
3	CX251-022.PRT	TOGGLE SEAT HOUSING	1
4	032-10020.PRT	SPRING TENSION PIN 10 DIA X 20 DIN 1481	4
5	CX251-023.PRT	END PLATE	2
6	004-12030.PRT	CAPSCREW M12X30 BS4168 12.9 BZP	10
7	028-12_NL12-NORD-LOCK	NORDLOCK WASHER M12 NL12	10
8	CX150-123.PRT	END PLATE	2

**(10) Spring Tensioner Assembly**



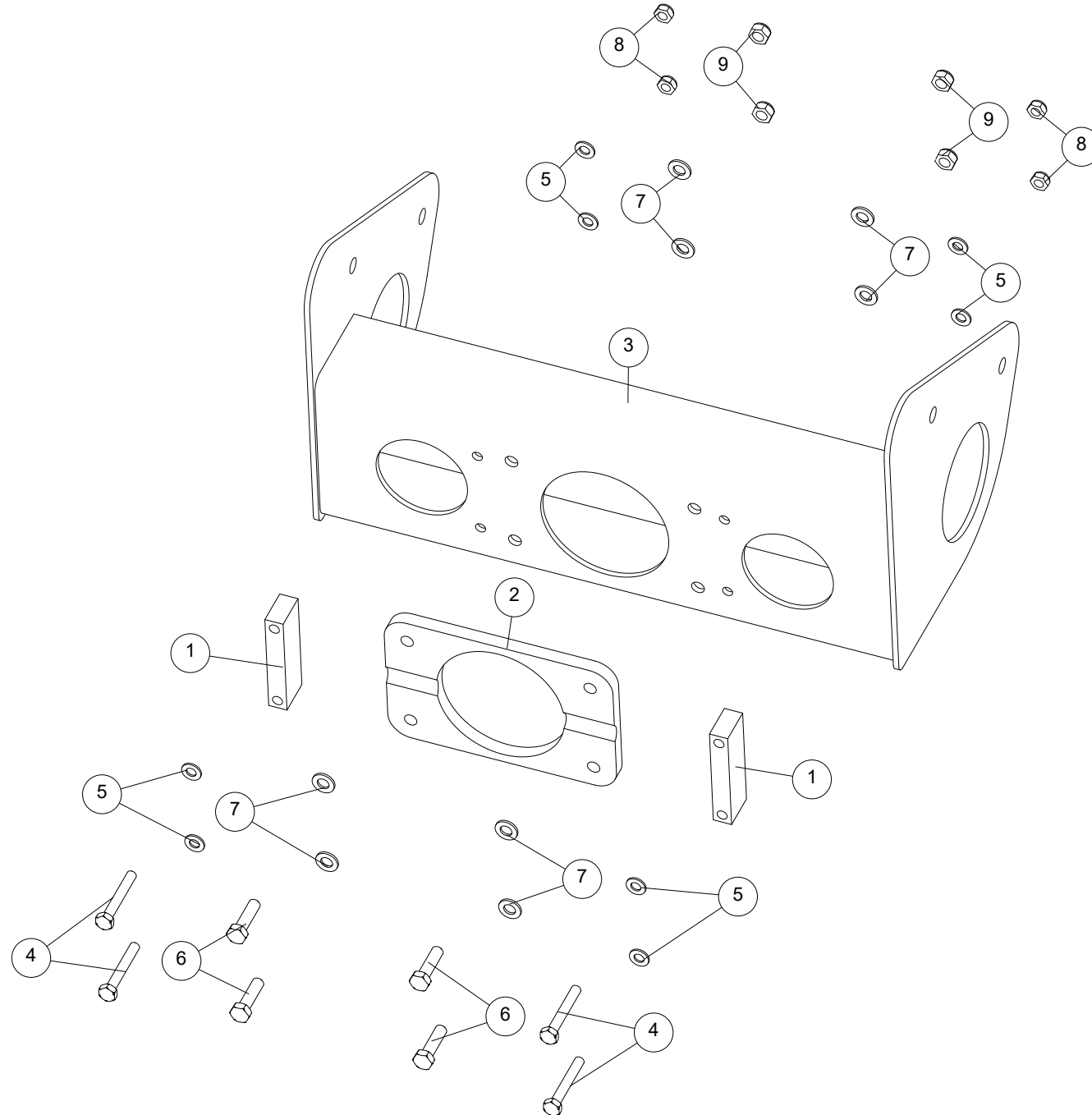
ITEM	PART NUMBER	DESCRIPTION	QTY
1	CX160-126.PRT	COMPRESSION BUSH	1
2	121-070_180MM.PRT	SPRING	1
3	CX160-533_CX160-533.ASM	TENSION SPRING CARRIER	1
4	S071-304035.PRT	OLITE BUSH AM304035	2
5	S118-M13080400.PRT	M1308 CIRCLIP	2
6	CX150-155.PRT	M30 FEMALE ROD END, MAINTENANCE FREE	1
7	CX150-156.PRT	PIN	1
8	063-30.PRT	WASHER	2
9	SO33-104.PRT	R CLIP 4x74LG	2
10	CX160-128.PRT	PIVIOT	2
11	CX150-122.PRT	THREADED BAR	1
12	021-30.PRT	WASHER M30 PLAIN BS4320 FORM A BZP	1
13	011-30.PRT	NUT HEX M30 BS3692 GR 8 BZP	2
14	004-10040.PRT	CAPSCREW M10X40 BS4168 12.9 BZP	4
15	S184-01.PRT	FERRULE	1
16	S184-02.PRT	S/P 6 MM 90DEG	1
17	S184-04.PRT	MALE CONNECTOR 1/8" BSP-6 MM	1
18	028-10_NL10-NORD-LOCK	NORDLOCK WASHER M10 NL10	4

**(11) Wedge Adjustment Assembly**



ITEM	PART NUMBER	DESCRIPTION	QTY
1	CX251-020.PRT	SETTING WEDGE	2
2	CX251-024.ASM	CYLINDER 50*30*150 MM	2
3	CX251-021.PRT	SETTING WDGE SHIM	1
4	CX251-200.PRT	RAM PIN	2
5	CX251-201.PRT	RAM PIN	2
6	S-RV4310600.PRT	3/8" BSP BANJO BOLT C/W WASHER	2
7	ADX11-06.PRT	3/8" BSP MALE FEMALE COMPACT 90	2
8	AD1B0606.PRT	MALE 3/8" BSP- MALE 3/8" BSP NIPPLE	2
9	S-RV4540606.PRT	3/8" BSP THREADED BANJO CONNECTION	2
10	024-103.PRT	DOWTY SEAL 3/8" BSP	2
11	032-10050.PRT	SPRING TENSION PIN 10 DIA X 50 DIN 1481	4
12	021-16.PRT	WASHER PLAIN M16 BS 4320 FORM A BZP	2
13	062-16040.PRT	BOLT HEX M16X40 BS3692 8.8 BZP	2

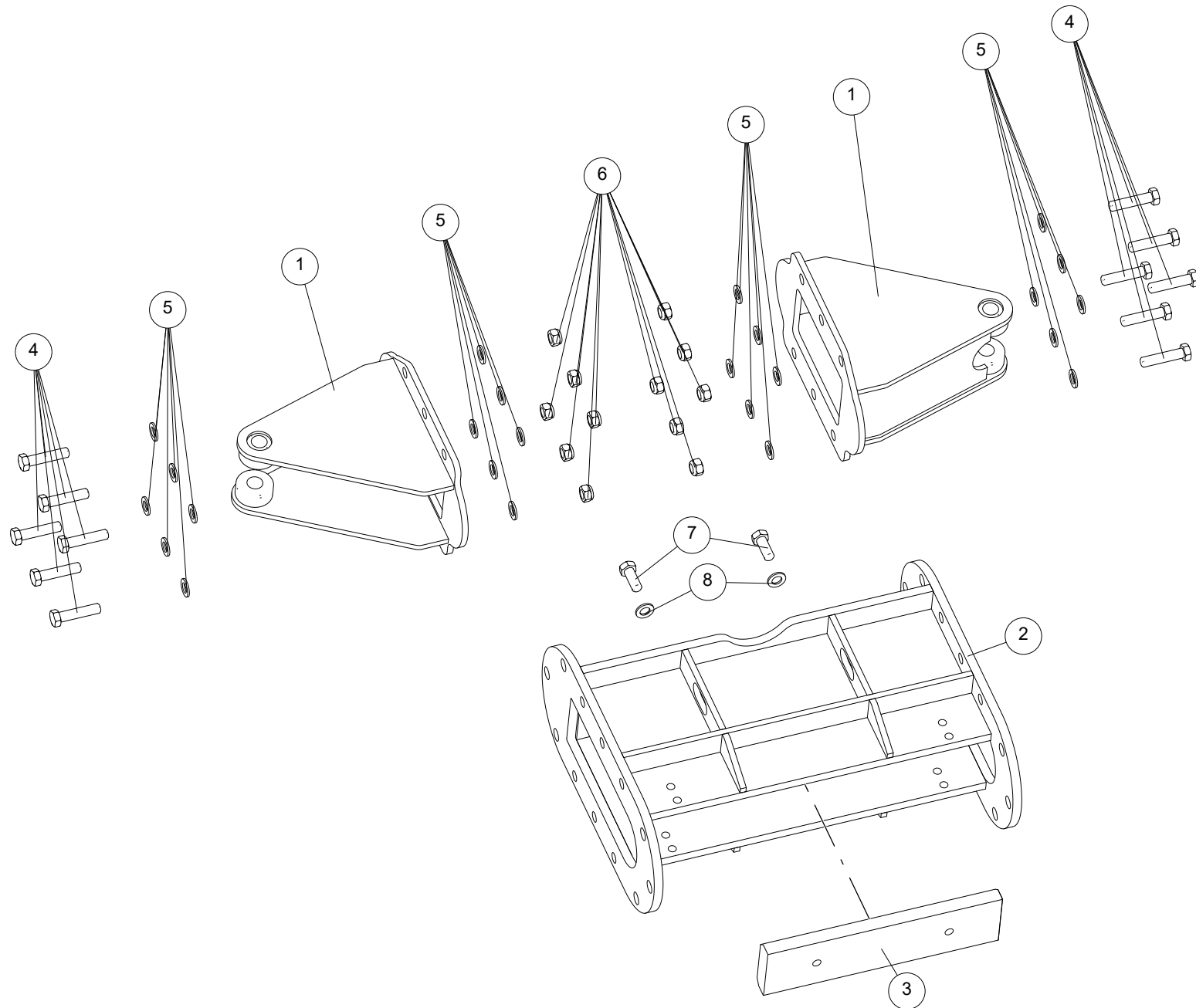
## (12) Spring Tension Support Frame



---

ITEM	PART NUMBER	DESCRIPTION	QTY
1	CX160-158.PRT	SECURING BLOCK	2
2	CX160-132.PRT	POSITIONING PLATE	1
3	CX160-131.ASM	TENSION SPRING FRAME	1
4	062-10070.PRT	M10 BOLT	4
5	021-10.PRT	WASHER PLAIN M10 BS4320 FORM A BZP	8
6	062-12045.PRT	BOLT HEX M12x45 BS 3692 8.8 BZP	4
7	021-12.PRT	WASHER PLAIN M12 BS4320 FORM A	8
8	013-10.PRT	PHILIDAS NUT M10 MKV GR 8 BZP	4
9	013-12.PRT	NUT PHILIDAS MKV M12	4

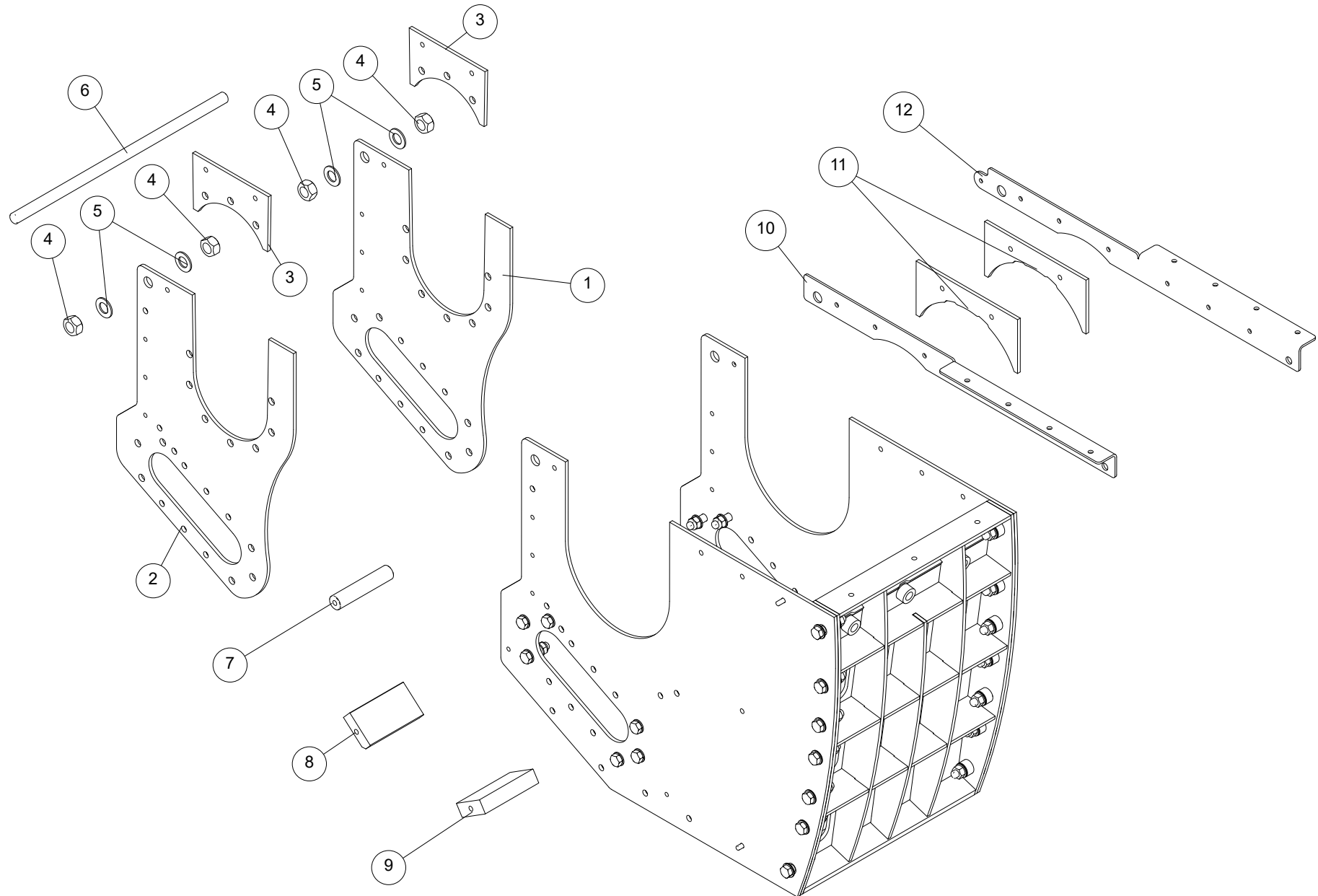
### (13) Wedge Adjustment Support Frame



---

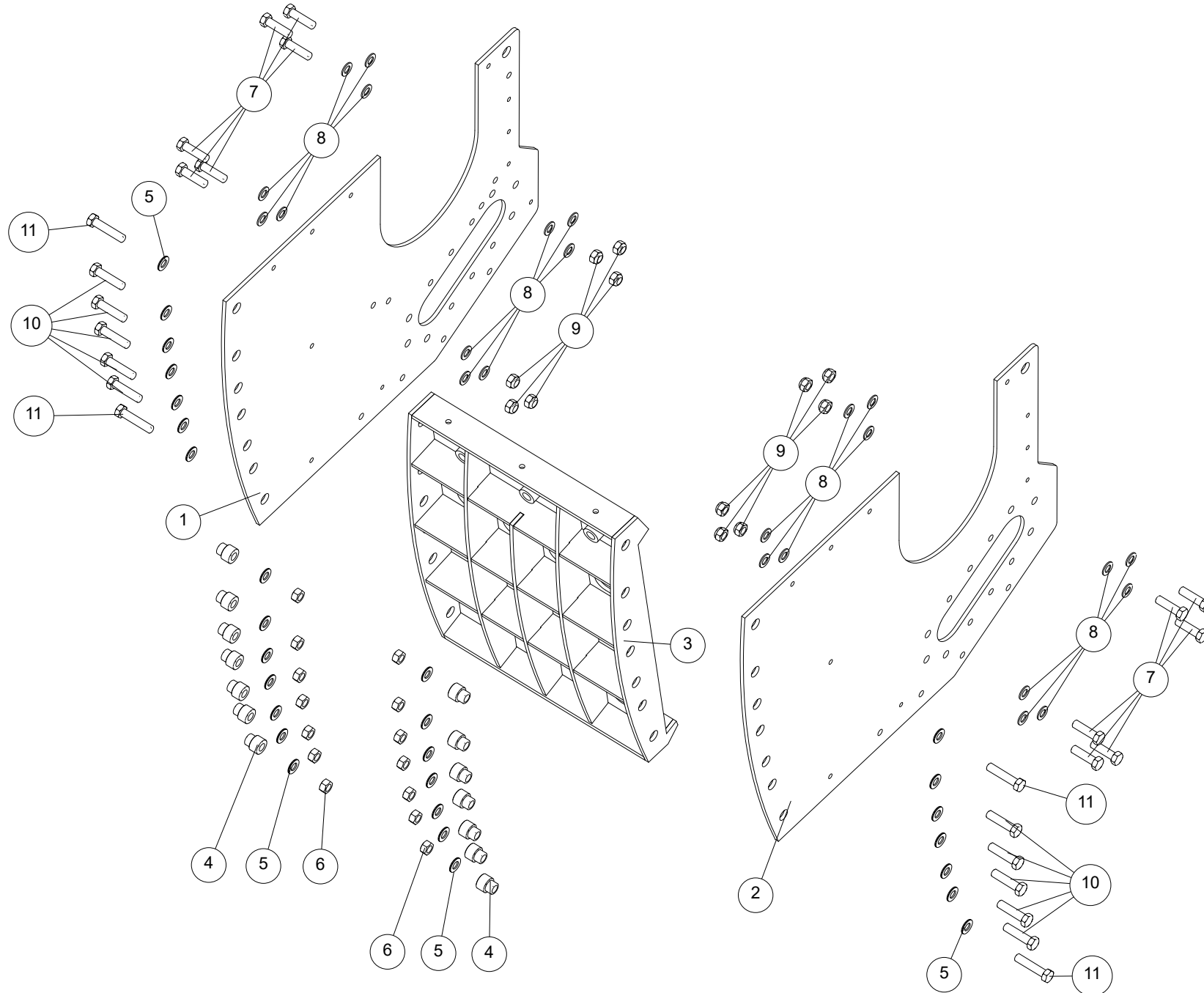
ITEM	PART NUMBER	DESCRIPTION	QTY
1	CX251-026.ASM	CYLINDER BRACKET	2
2	CX251-009.ASM	TOGGLE BEAM	1
3	CX251-021.PRT	SETTING WDGE SHIM	1
4	062-16070.PRT	BOLT HEX M16X70 BS3692 BZP	12
5	063-16.PRT	M16 BOLT	24
6	013-16.PRT	NUT PHILIDAS MKV M16 8 BZP	12
7	062-16040.PRT	BOLT HEX M16X40 BS3692 8.8 BZP	2
8	021-16.PRT	WASHER PLAIN M16 BS 4320 FORM A BZP	2

**(14) Inner Side-Wall Assembly**



ITEM	PART NUMBER	DESCRIPTION	QTY
1	CX160-607-02.PRT	SIDEWALL FABRICATION	1
2	CX160-606-02.PRT	SIDEWALL FABRICATION	1
3	CX150-139-01.PRT	SIDEWALL INSERT	2
4	011-30.PRT	NUT HEX M30 BS3692 GR 8 BZP	4
5	063-30.PRT	M30 WASHER	4
6	CX150-147.PRT	SUPPORT BAR	1
7	CX160-177.PRT	STANDOFF POST	1
8	CX160-650.PRT	MOTOR BRACKET	1
9	CX160-175.PRT	MOTOR BRACKET	1
10	CX150-149.PRT	HOPPER MTG BRACKET	1
11	CX150-139-02.PRT	SIDEWALL INSERT	2
12	CX150-192.PRT	HOPPER MTG BRACKET L/H	1

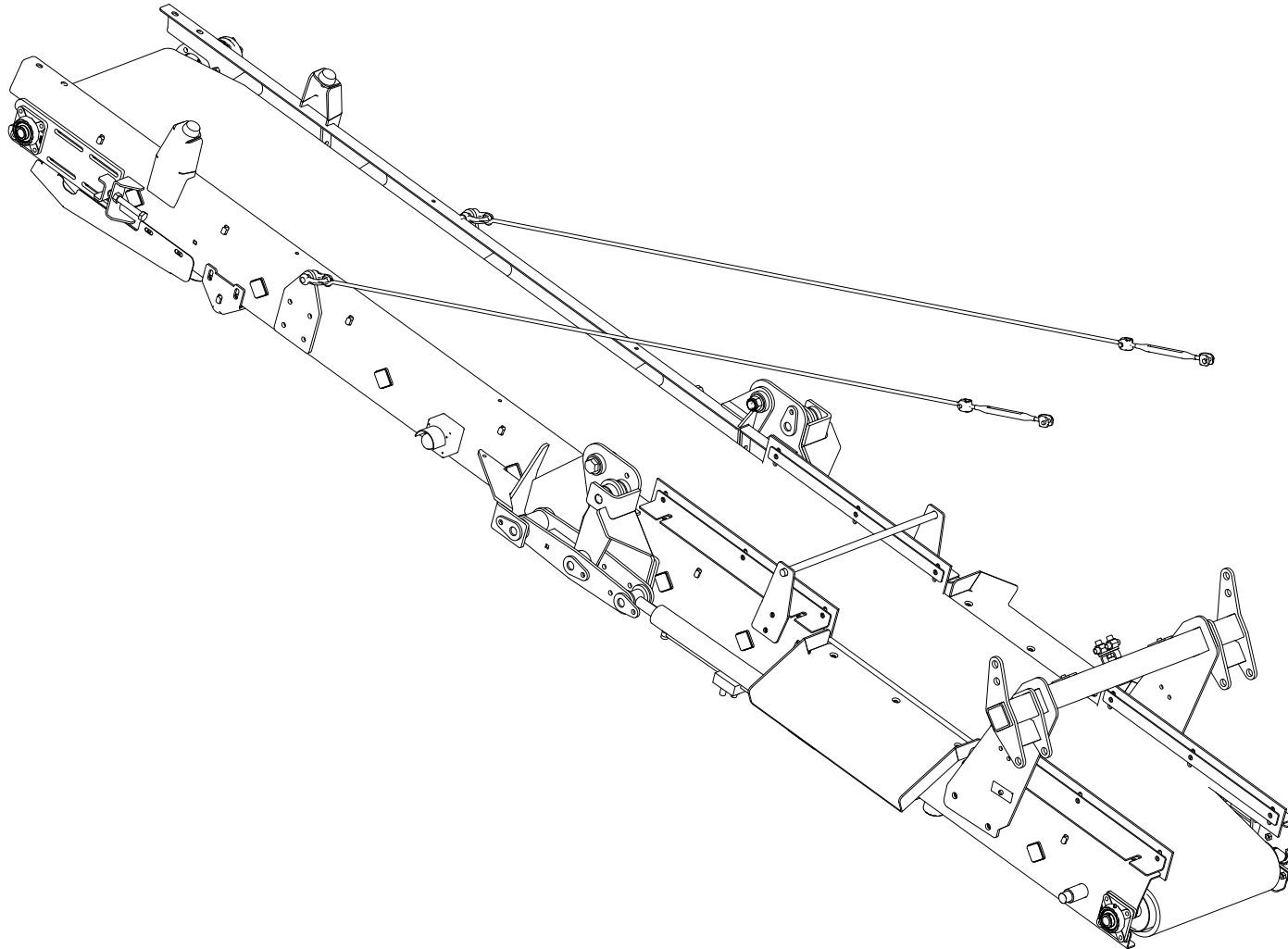
**(15) Side & Back Wall Assembly**



ITEM	PART NUMBER	DESCRIPTION	QTY
1	CX160-606-01_RHS.PRT	SIDEWALL FABRICATION	1
2	CX160-607-01_RHS.PRT	SIDEWALL FABRICATION	1
3	CX150-132.ASM	BACK WALL FABRICATION	1
4	CX150-184.PRT	TURNED BUSH	14
5	028-20A_NL20S	NORDLOCK WASHER M20 NL20 SP	28
6	018-20.PRT	NUT HEX M20 BS3692 GR 12 BZP	14
7	062-20070.PRT	BOLT HEX M20X70 BS3692 8.8 BZP	12
8	021-20.PRT	WASHER PLAIN M20 BS 4320	24
9	013-20.PRT	NUT PHILIDAS M20 MKV	12
10	000-20080.PRT	BOLT HEX M20x80 BS 3692 12.9 BZP	10
11	000-20090.PRT	BOLT HEX M20X90 BS3692 12.9 BZP	4

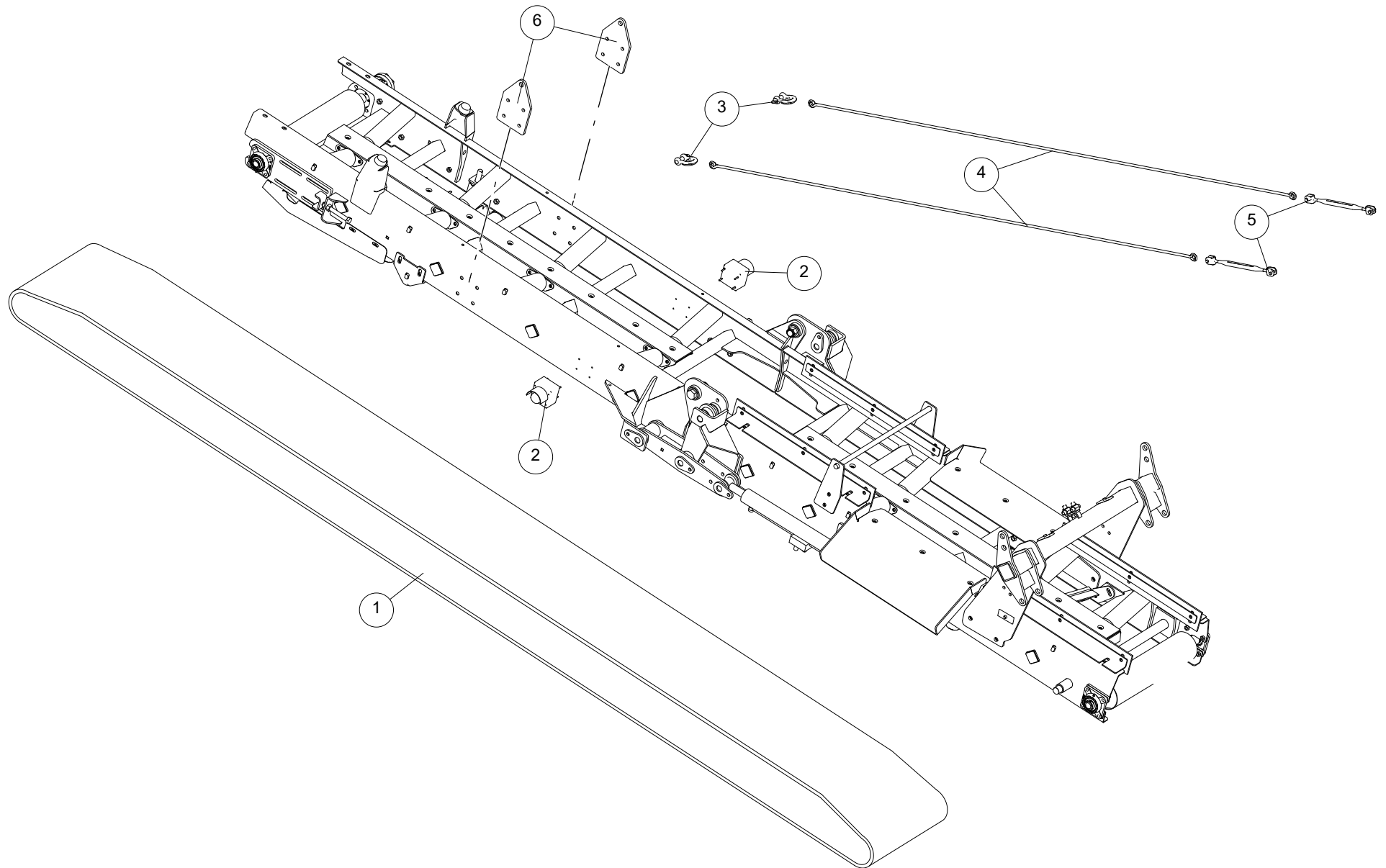
## 2.3 Main Discharge Conveyor

---



Intentionally Left Blank.

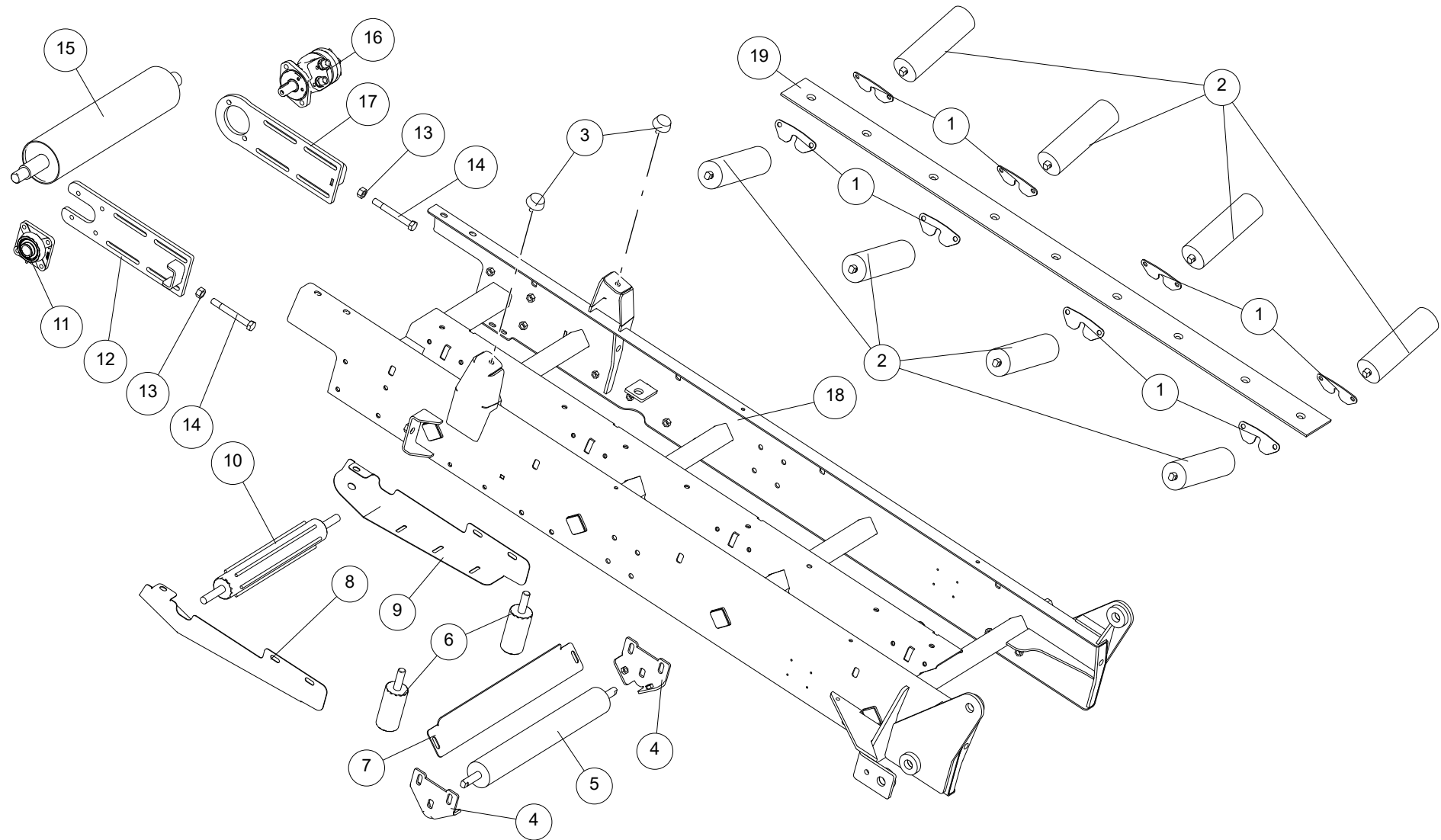
## (1) Conveyor Belt, Emergency Stops, Support Ropes & Fixings



---

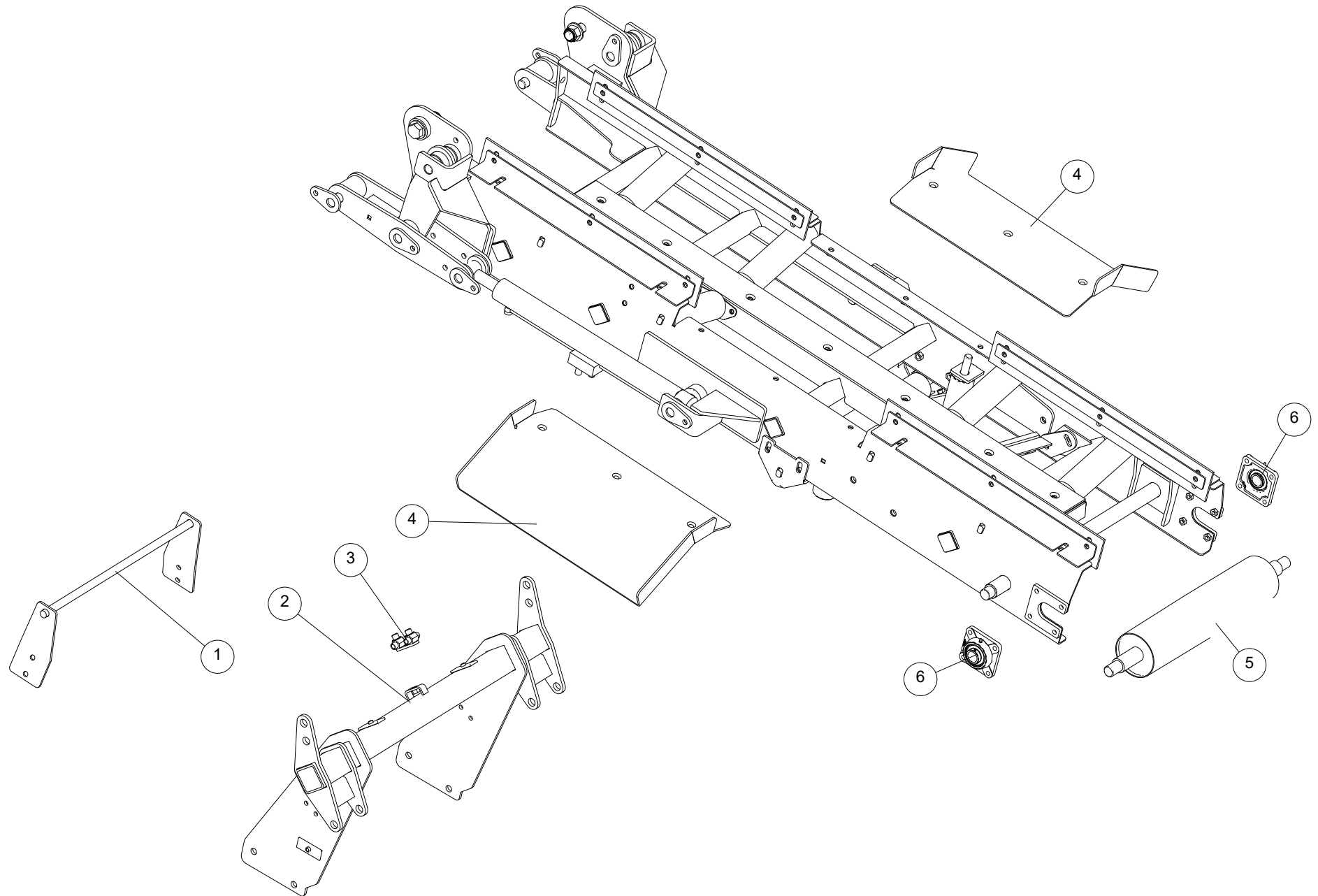
ITEM	PART NUMBER	DESCRIPTION	QTY
1	301-4235.PRT	CHEVRON BELT 9195mm X 500mm 3PLY EP315	1
2	301-4247.PRT	E STOP	2
3	301-4246.PRT	2T BOW SHACKLE	2
4	301-4248.PRT	10mm GALV WIRE ROPE - 2130 LENGHT - CRIMPED EYELETS	2
5	301-4245.PRT	5/8" / 6" - 1.59T EYE/JAW - DROP FORGED TURNBUCKLE	2
6	525-004-002-017.PRT	CABLE BRACKET	2

**(2) Upper Section - Nylon Slider, Drive System, Rollers & Fixings**



ITEM	PART NUMBER	DESCRIPTION	QTY
1	525-004-001-031.PRT	ROLLER CLAMP 3MM SHIM	8
2	301-4151.PRT	CENTRE ROLLER 76MM DIA X 250MM FACE 20MM SPINDLE	8
3	301-2271.PRT	RUBBER BUFFER AV INDUSTRIAL #5020MCBT28	2
4	525-004-011.ASM	RETURN ROLLER BRACKET	2
5	301-4227.PRT	RETURN ROLLER 75MM OD 680MM LONG	1
6	301-0255.PRT	T120 GUIDE ROLLER	2
7	525-004-000-021.PRT	RETURN ROLLER GUARD	1
8	525-004-000-020.PRT	BEATER ROLLER GUARD	1
9	525-004-000-019.PRT	BEATER ROLLER GUARD	1
10	301-4143	L600 430FACE 63DIA BEATER ROLLER	1
11	301-4119.ASM	30MM FLANGE BEARING	1
12	525-004-004.ASM	DRUM TENSIONER	1
13	M16_PLAIN.PRT	M16 PLAIN NUT	2
14	M16X130.PRT	M16X130 BOLT8.8ZP	2
15	301-4230.ASM	HEAD DRUM - 124.3MM DIA 540MM FACE	1
16	301-4236.PRT	GEROLER MOTOR 160 CC/REV WR	1
17	525-004-003.ASM	HEAD DRUM TENSIONER	1
18	525-004-002.ASM	RC CRUSHER CONV HEAD SECTION	1
19	301-4220.PRT	6MM NYLON SLIDER	1

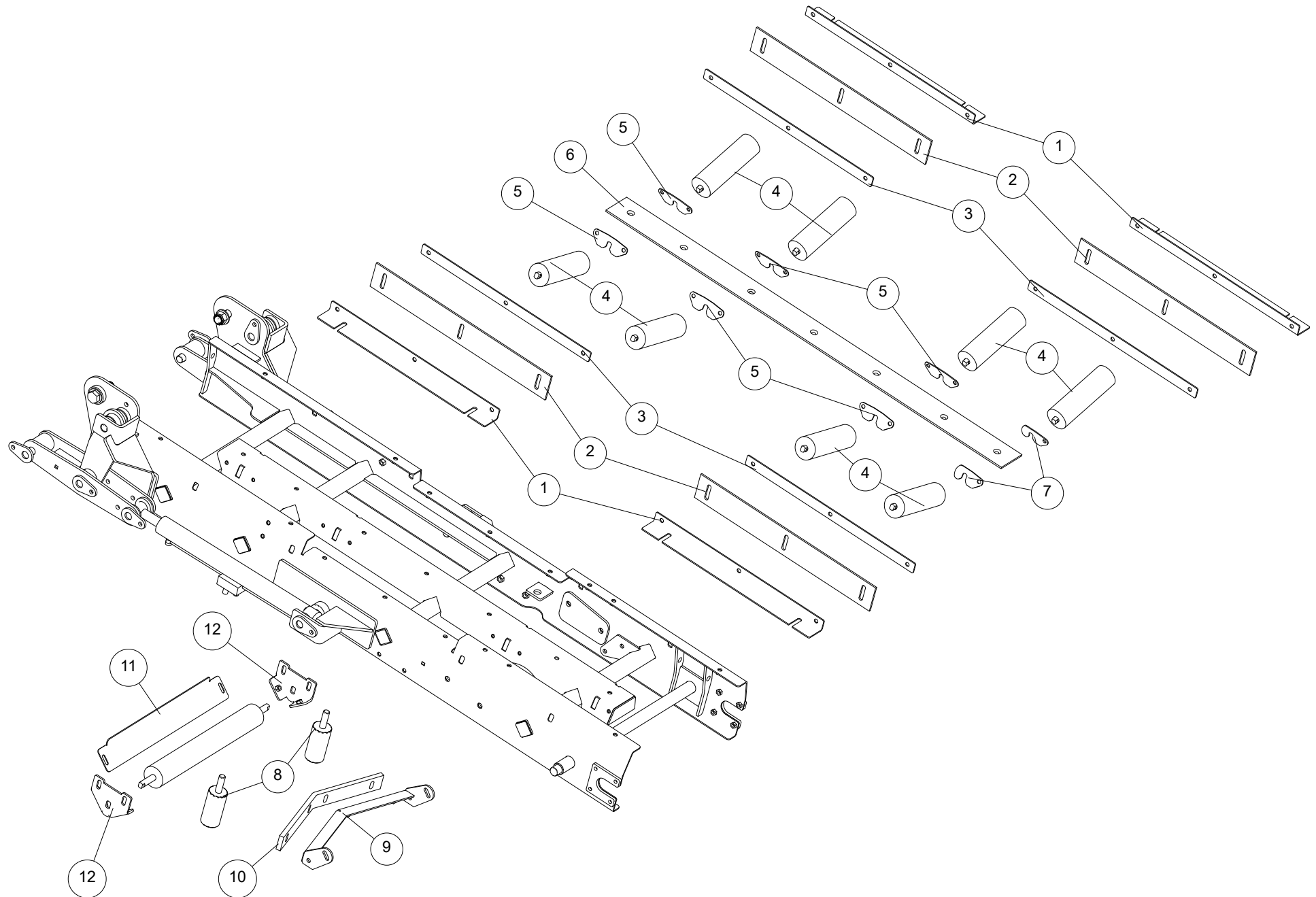
**(3) Lower Section - Optional Magnet Discharge Chutes, Supports, Idler Drum & Bearings**



---

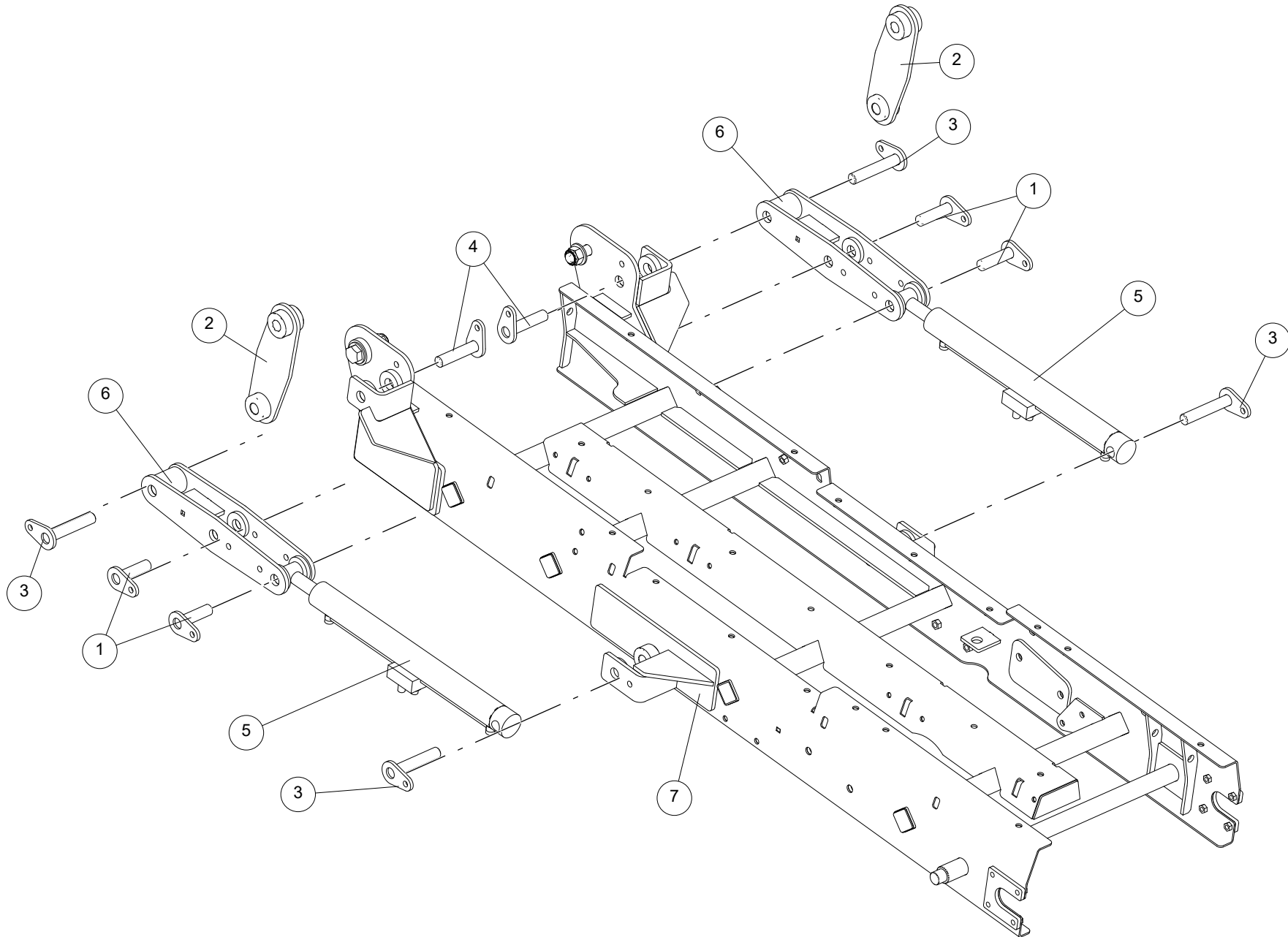
<b>ITEM</b>	<b>PART NUMBER</b>	<b>DESCRIPTION</b>	<b>QTY</b>
1	525-004-008.ASM	BELT SUPPORT BRACKET	1
2	525-004-005.ASM	CONVEYOR-CHASSIS MOUNTING BRACKET	1
3	202-0031.ASM	BOLT ON TEE BRACKET	1
4	525-004-009.ASM	OVERBAND MAGNET CHUTE	2
5	301-4221.ASM	127.3MM DIA 540MM FACE TAIL DRUM	1
6	301-4119.ASM	30MM FLANGE BEARING	2

**(4) Lower Section - Nylon Slider, Scraper, Skirting Rubbers, Rollers & Fixings**



ITEM	PART NUMBER	DESCRIPTION	QTY
1	525-004-001-022.PRT	SKIRTING MOUNT - TAIL SECTION	4
2	301-4219.PRT	60 SHORE SKIRTING RUBBER	4
3	525-004-001-023.PRT	SKIRTING CLAMP - TAIL SECTION	4
4	301-4151.PRT	CENTRE ROLLER 76MM DIA X 250MM FACE 20MM SPINDLE	8
5	525-004-001-031.PRT	ROLLER CLAMP 3MM SHIM	6
6	301-4218.PRT	6MM NYLON SLIDER	1
7	525-004-001-032.PRT	ROLLER CLAMP 3MM SHIM	2
8	301-0255.PRT	T120 GUIDE ROLLER	2
9	525-004-010.ASM	PLOUGH SCRAPER	1
10	525-004-010-003.PRT	PLOUGH SCRAPER RUBBER 60 SHORE	1
11	525-004-000-021.PRT	RETURN ROLLER GUARD	1
12	525-004-011.ASM	RETURN ROLLER BRACKET	2

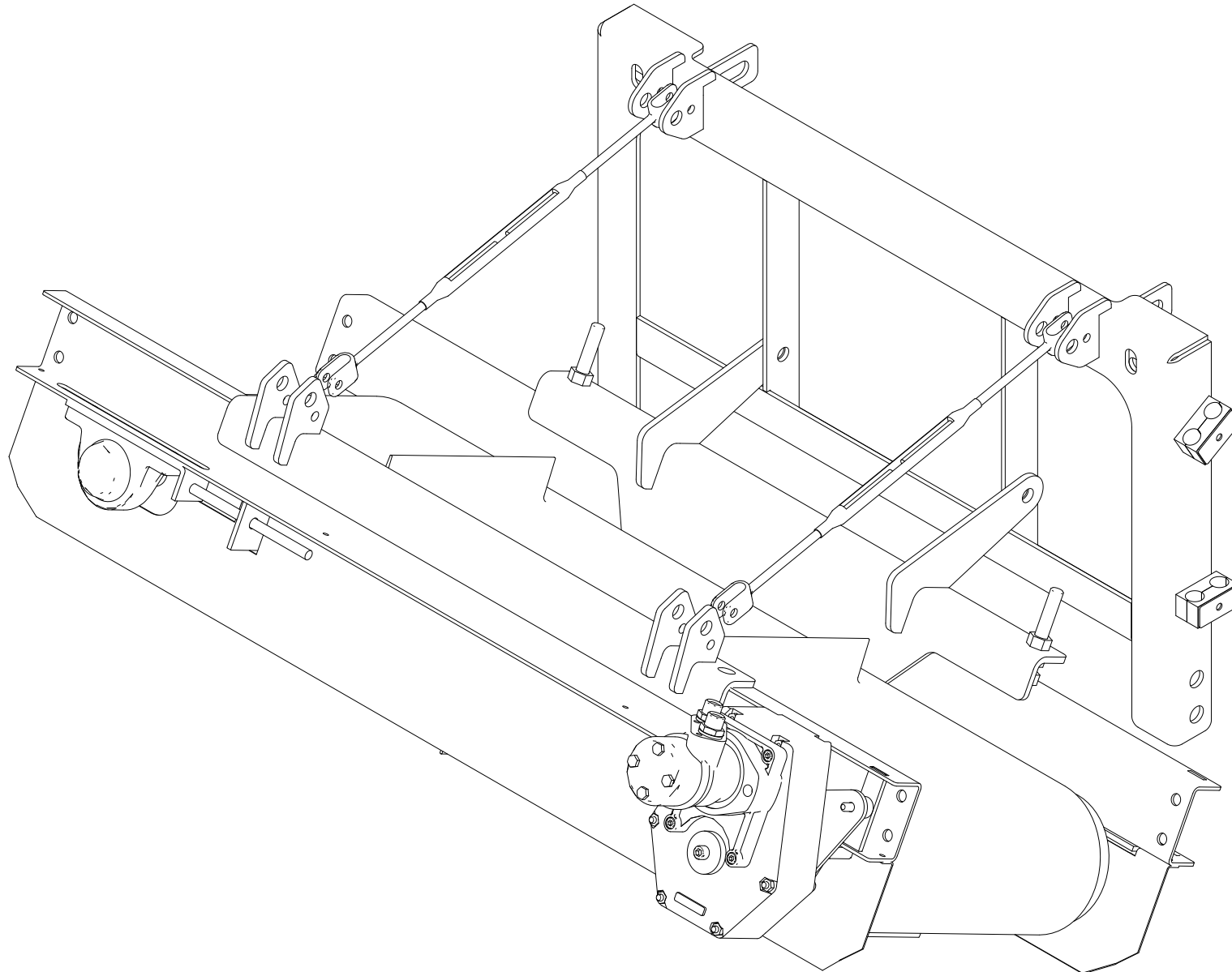
**(5) Lower Section - Hydraulic Cylinders, Linkage & Pins**



---

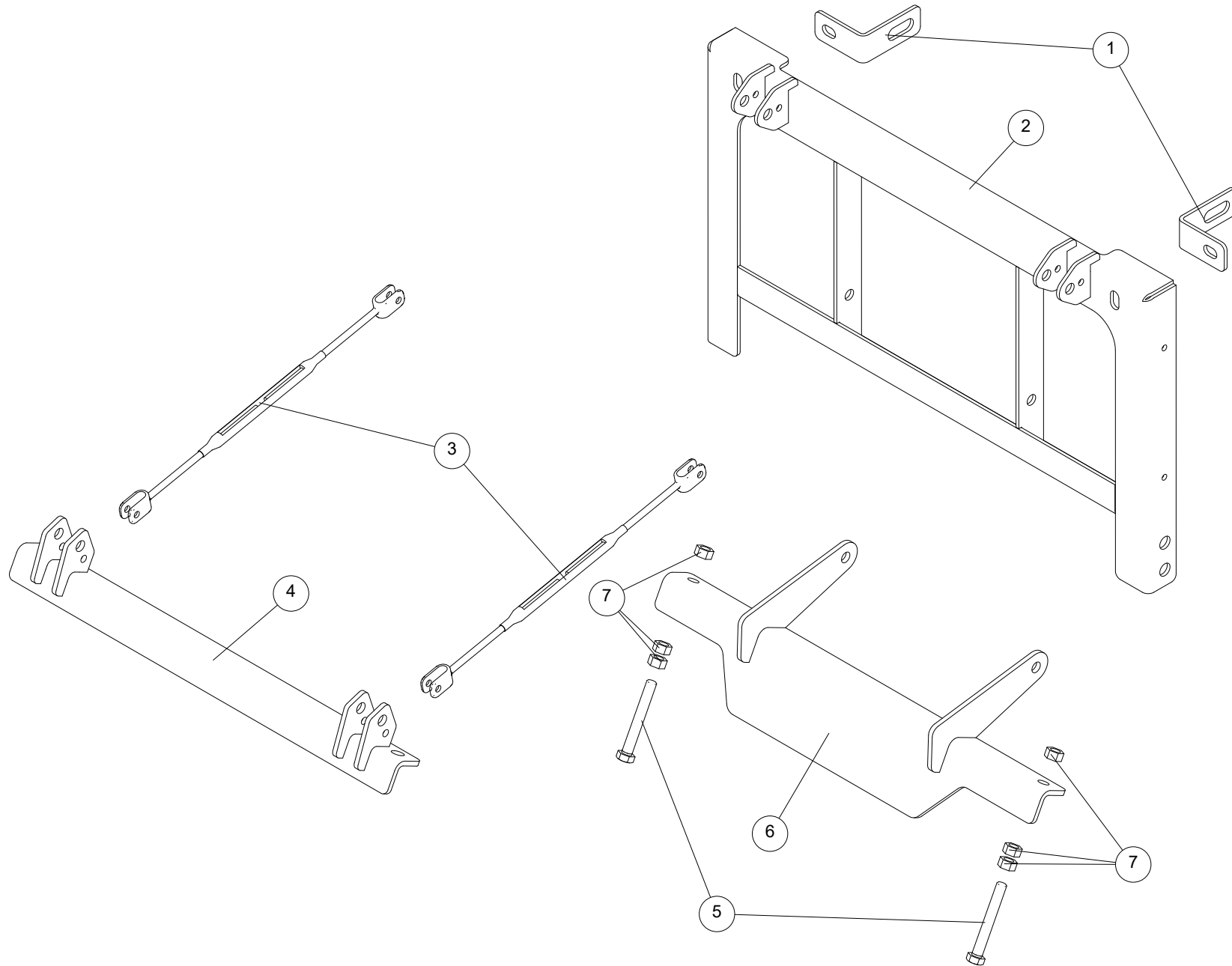
ITEM	PART NUMBER	DESCRIPTION	QTY
1	301-4232.ASM	RC-C650 PIN 99MM LONG	4
2	525-004-007.ASM	PIVOT ARM	2
3	301-4233.ASM	RC-C650 PIN 145MM LONG	4
4	301-4234.ASM	RC-C650 PIN 120MM LONG	2
5	301-4239.ASM	50-30-500 HYDRAULIC RAM DUAL OVER CENTRE VALVE 3/8	2
6	525-004-006.ASM	CONVEYOR HINGE	2
7	525-004-001.ASM	TAIL SECTION	1

## 2.4 Magnet Discharge Conveyor



Intentionally Left Blank.

**(1) Support Frame, Turn-buckles & Fixings**

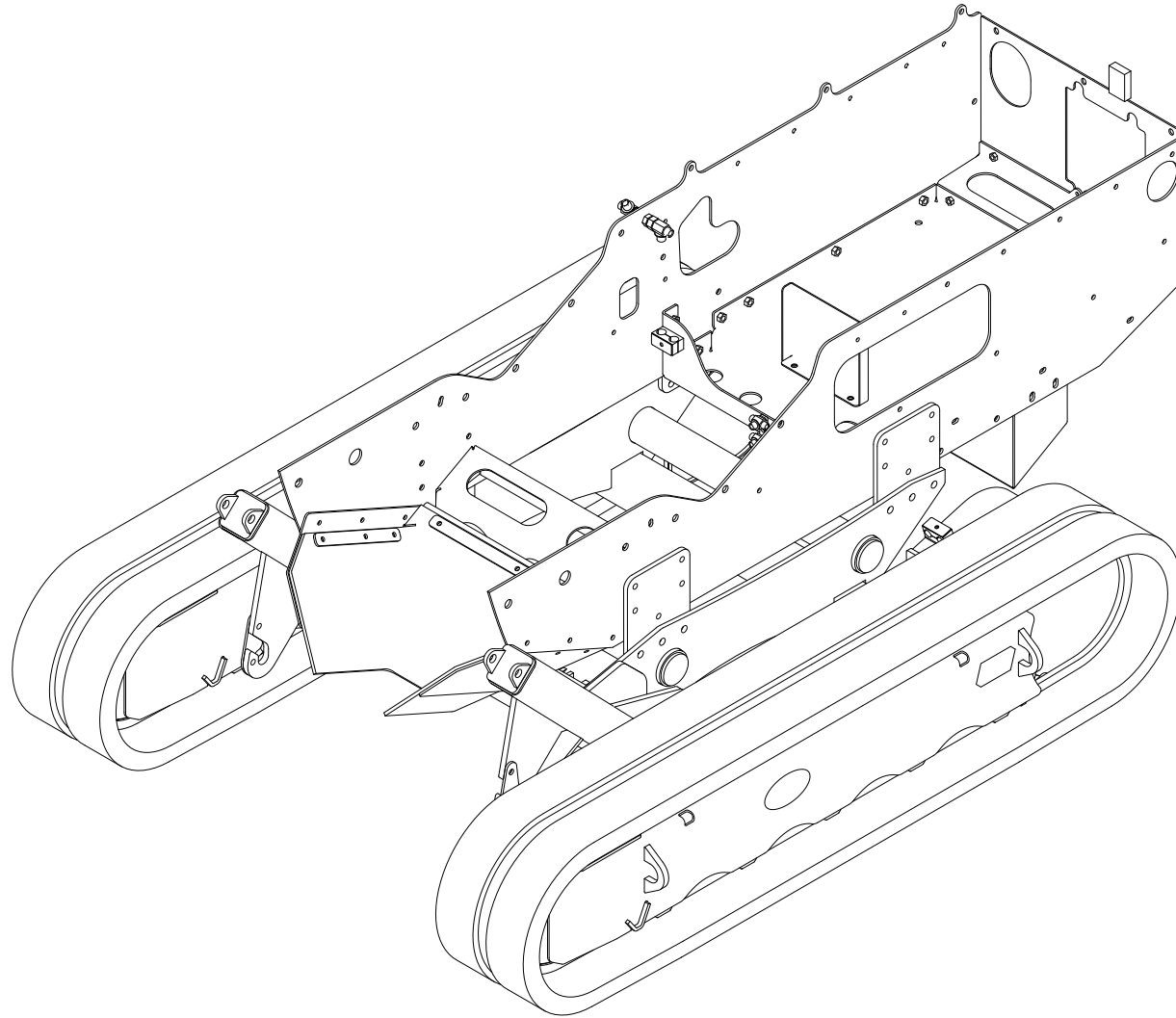


---

ITEM	PART NUMBER	DESCRIPTION	QTY
1	525-005-000-001.PRT	MAGNET CHAMBER MOUNT	2
2	525-005-001.ASM	OVERBAND MAGNET FRAME	1
3	301-4244.PRT	1/2" / 9" / 1T SWL JAW-JAW - DROP FORGED TURNBUCKLE	2
4	525-005-003.ASM	MAGNET RAM BRACKET	1
5	M16X120.PRT	M16X120 SETSCW8.8ZP	2
6	525-005-002.ASM	MAGNET PIVOT SUPPORT	1
7	M16_PLAIN.PRT	M16 PLAIN NUT	6

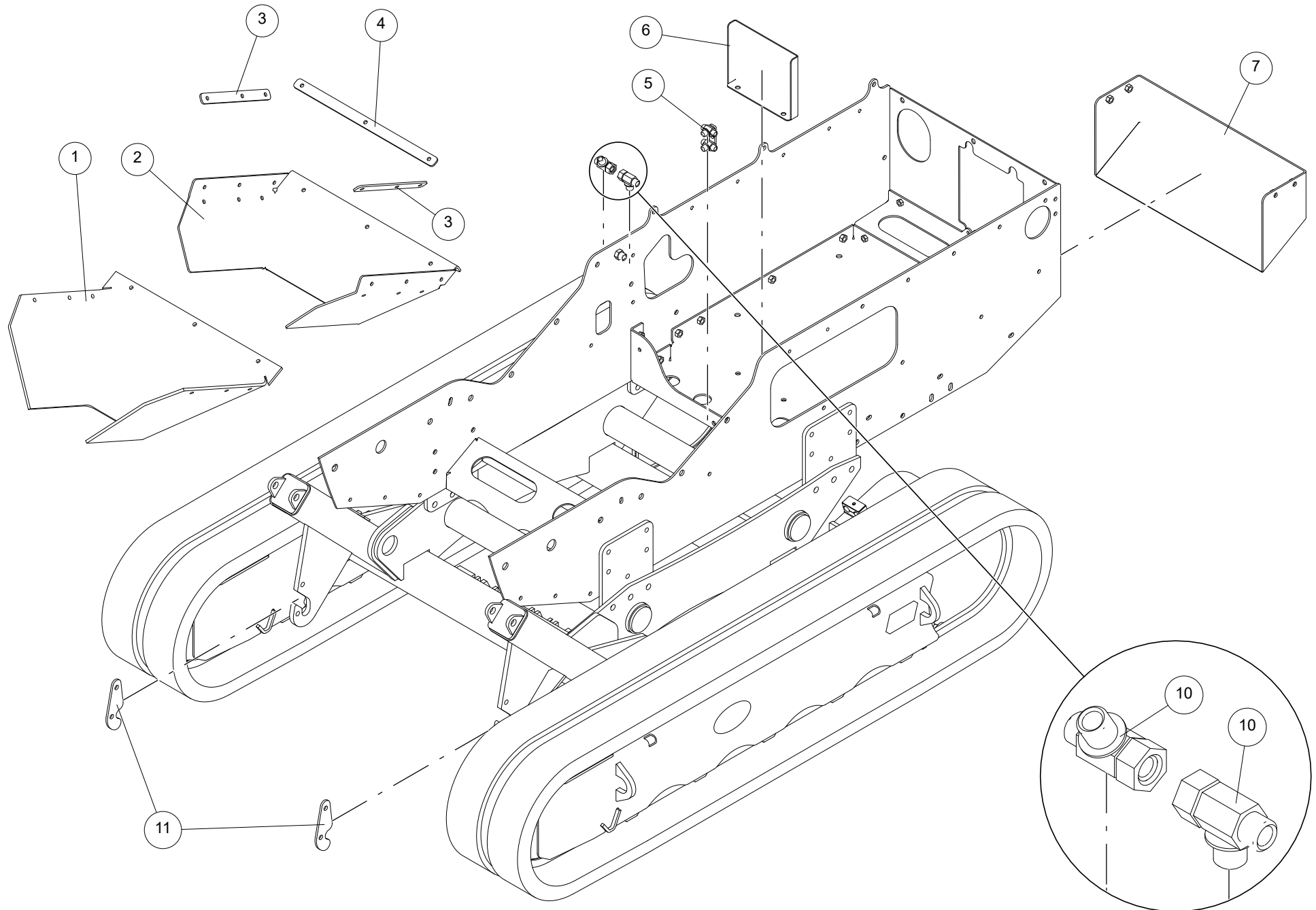
## 2.5 Chassis

---



Intentionally Left Blank.

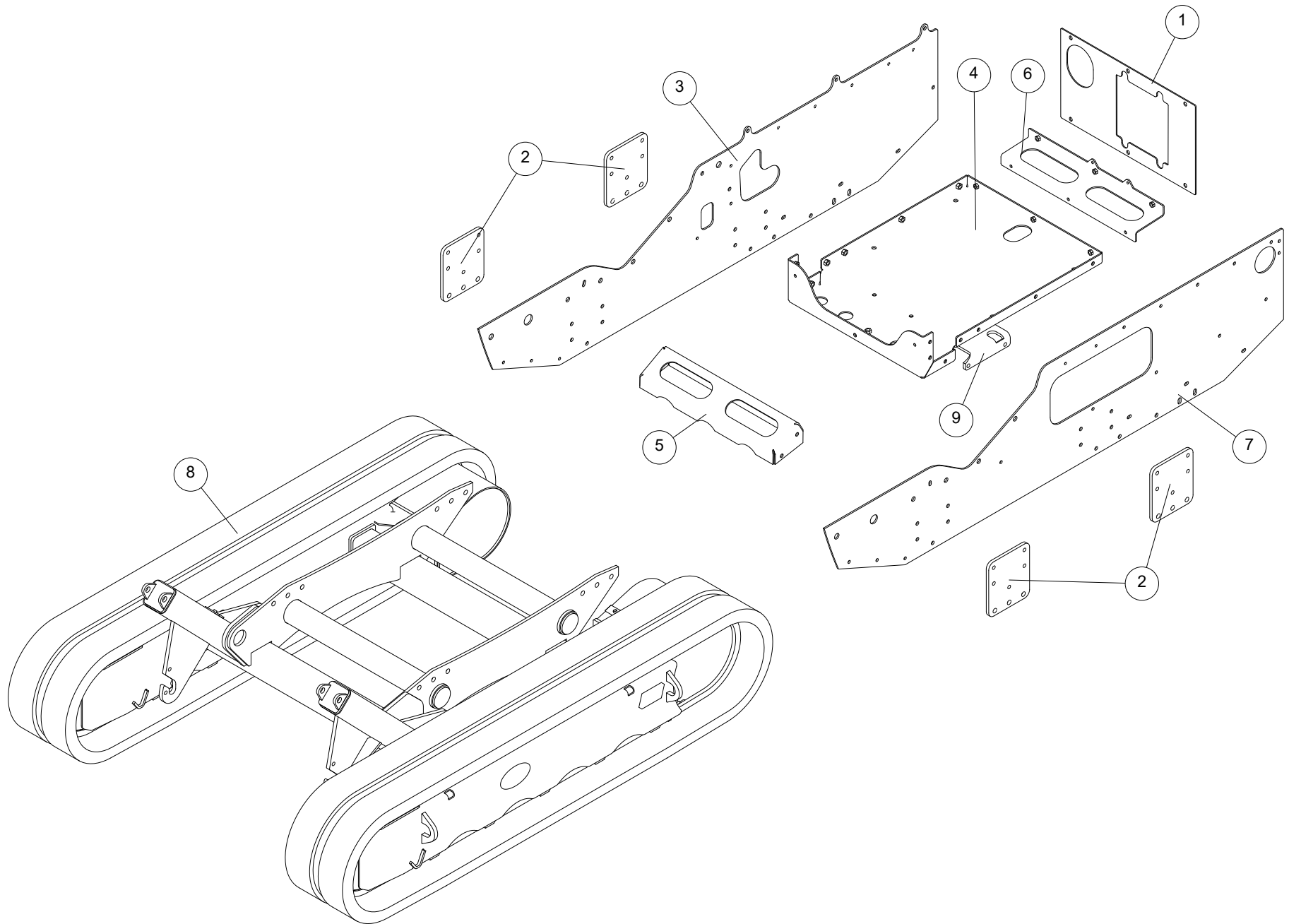
**(1) Covers, Brackets, Hydraulic Fittings, Discharge Chute & Rubbers**



---

<b>ITEM</b>	<b>PART NUMBER</b>	<b>DESCRIPTION</b>	<b>QTY</b>
1	525-001-000-013	DISCHARGE CHUTE RUBBER 8MM	1
2	525-001-000-010.PRT	DISCHARGE CHUTE	1
3	525-001-000-012.PRT	DISCHARGE CHUTE CLAMP	2
4	525-001-000-011.PRT	DISCHARGE CHUTE CLAMP	1
5	202-0031.ASM	BOLT ON TEE BRACKET	1
6	525-001-000-017.PRT	DEFLECTOR PLATE	1
7	525-001-007.ASM	BLOCK COVER GUARD	1
10	301-3837.PRT	1/2" TEE M/F/M	2
11	525-001-000-001.PRT	CONVEYOR LOCKING PLATE	2

**(2) Track Frame, Chassis Walls, Guards**

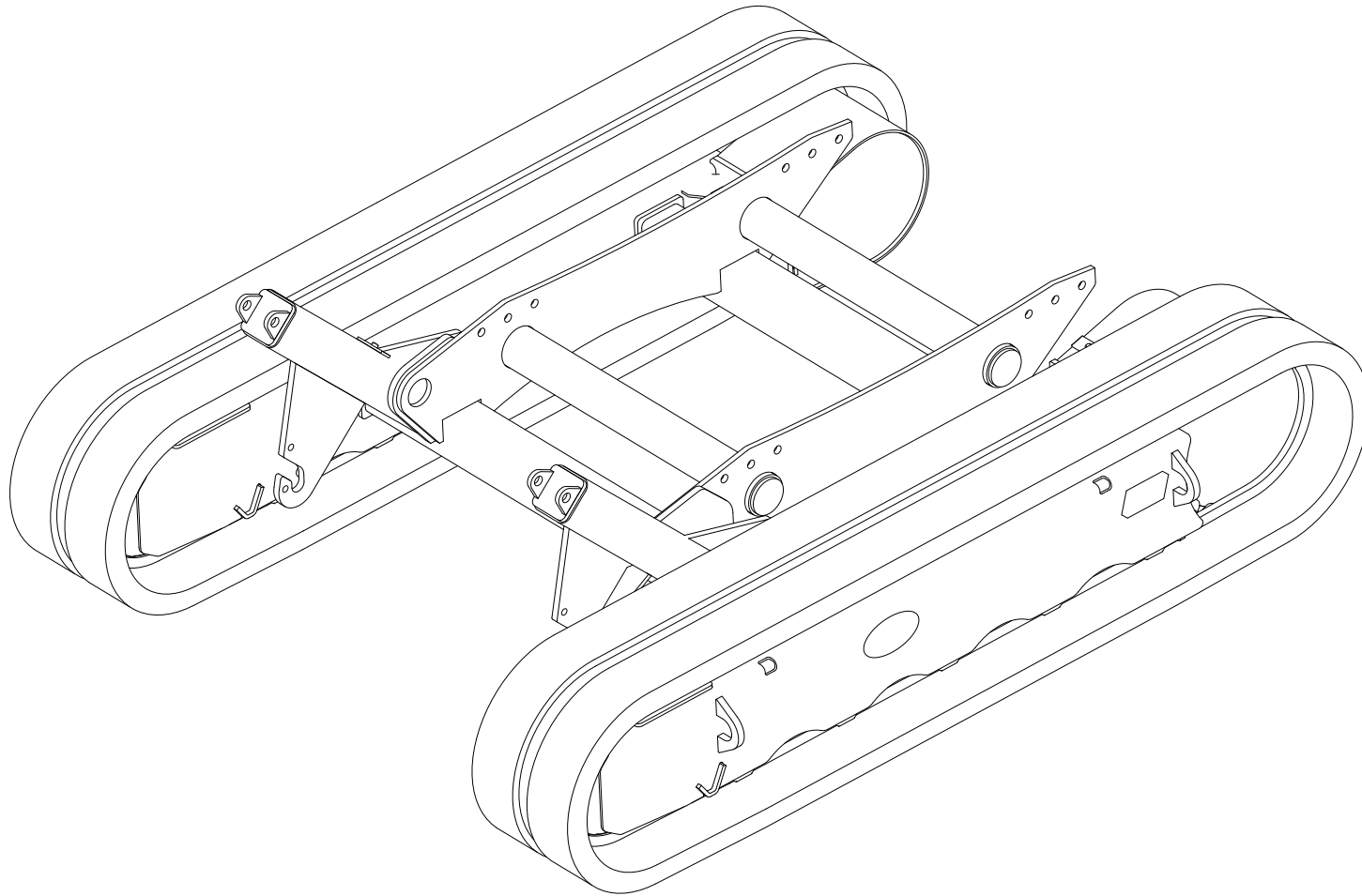


---

<b>ITEM</b>	<b>PART NUMBER</b>	<b>DESCRIPTION</b>	<b>QTY</b>
1	525-001-000-008.PRT	REMOVABLE REAR GUARD	1
2	525-001-000-015.PRT	CHASSIS SIDE BRACKET	6
3	525-001-000-021.PRT	CHASSIS SIDE PLATE	1
4	525-001-006.ASM	FUEL TANK BASE	1
5	525-001-000-016.PRT	FRONT CROSS MEMBER	1
6	525-001-005.ASM	OIL COOLER SUPPORT	1
7	525-001-000-020.PRT	CHASSIS SIDE PLATE	1
8	525-001-001.ASM	RC CRUSHER TRACK FRAME	1
9	525-001-000-018.PRT	BLOCK MOUNTING PLATE	1

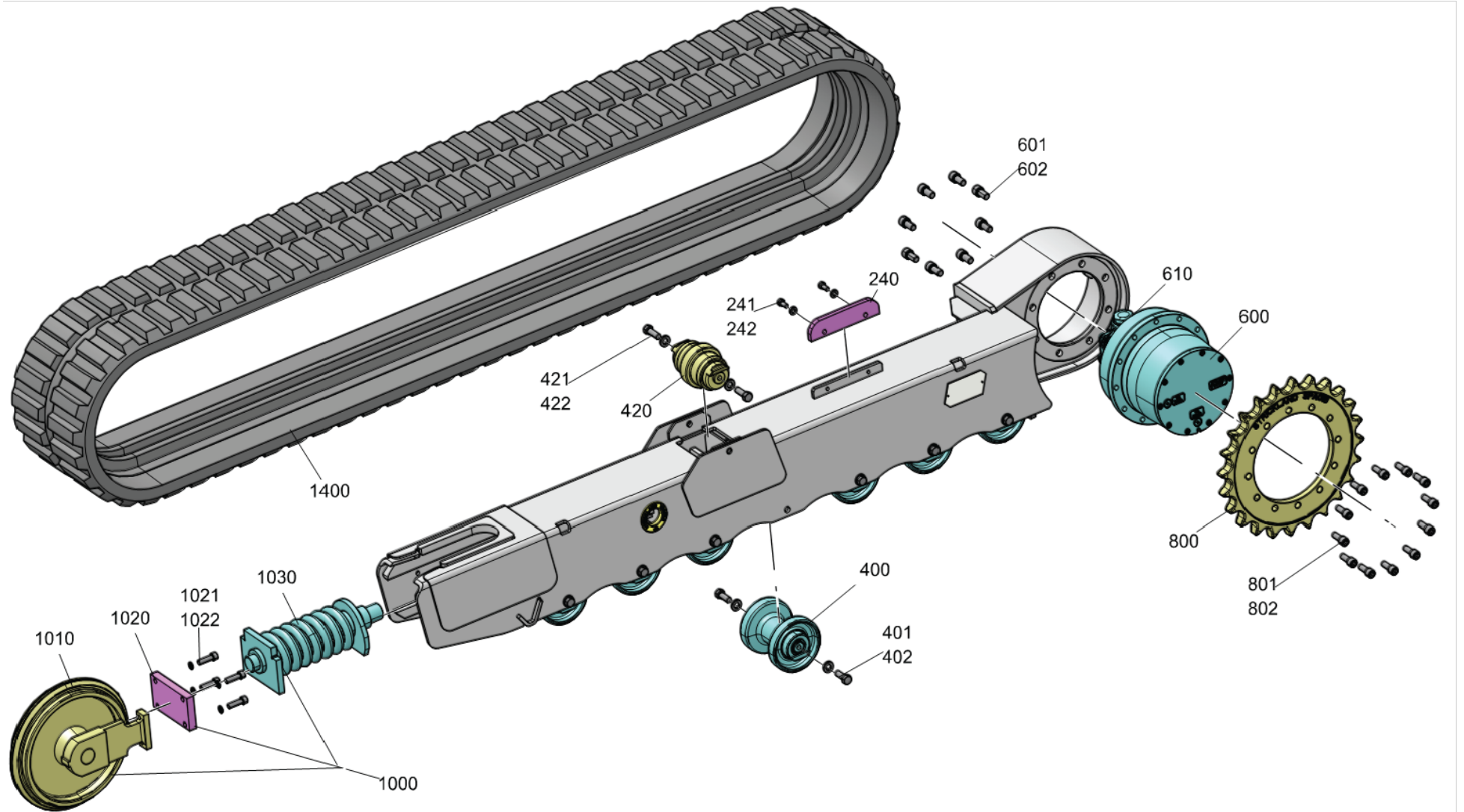
## 2.6 Crawler Tracks

---



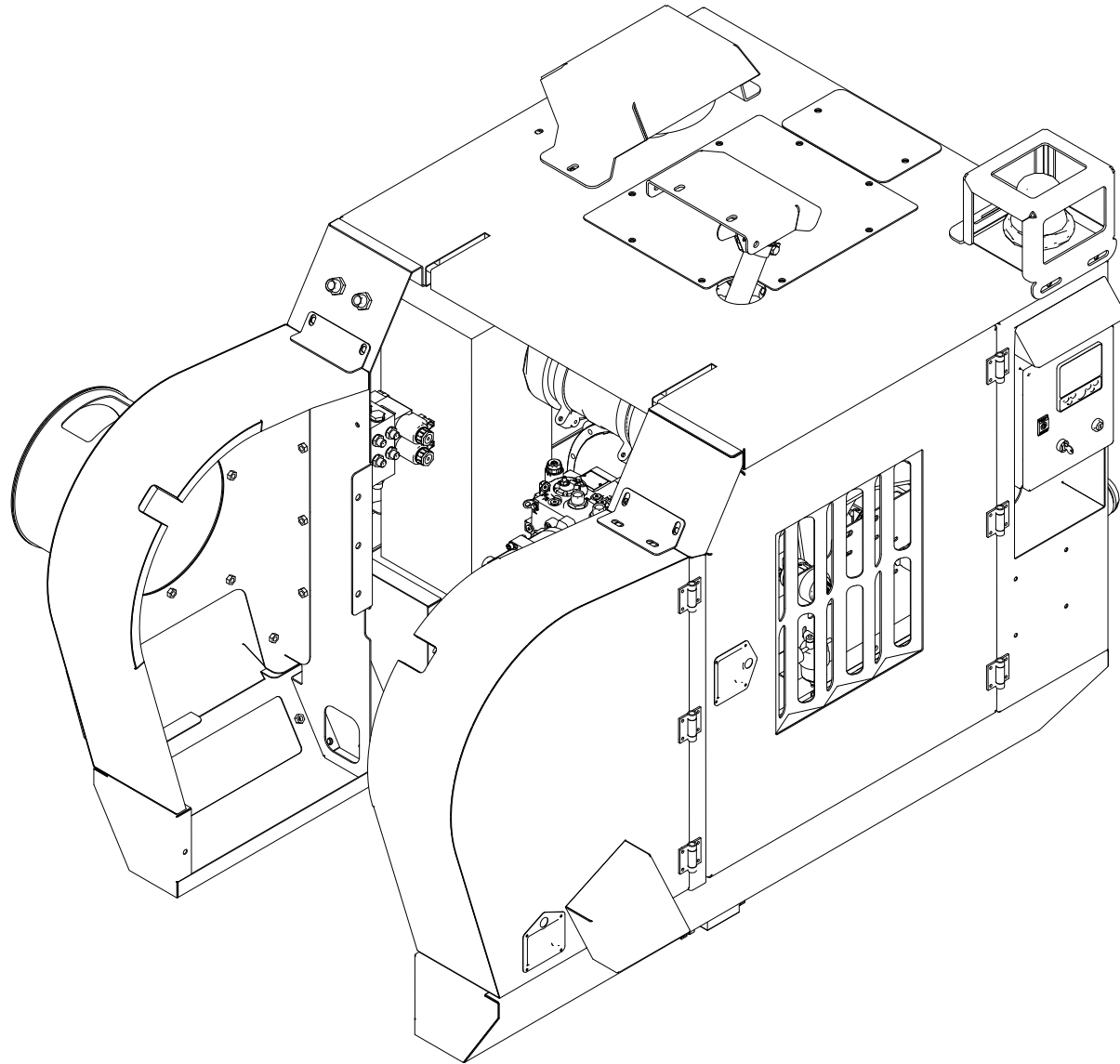
Intentionally Left Blank.

**(1) Crawler Track Assembly**



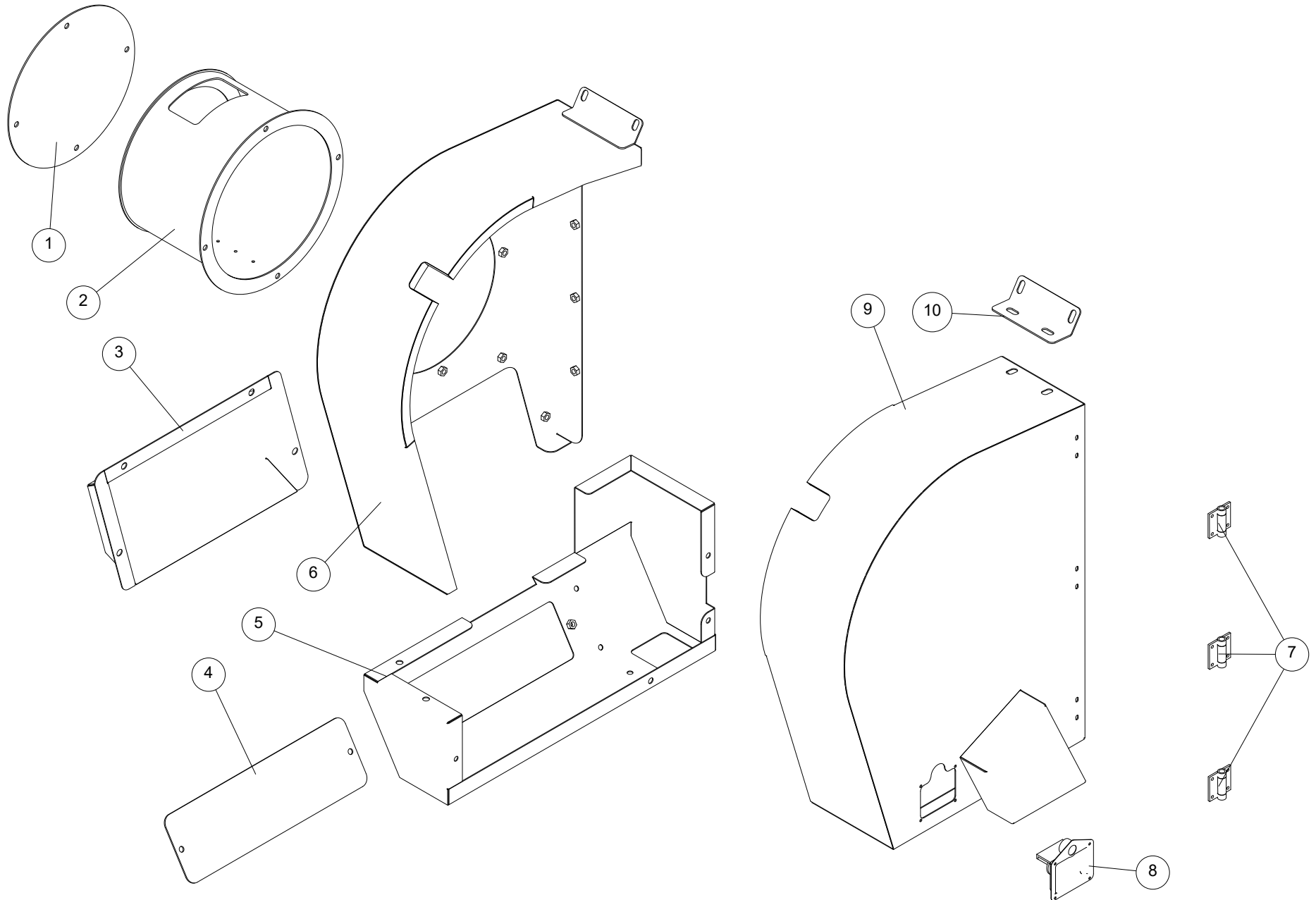
ITEM	PART NUMBER	DESCRIPTION	QTY TRACK	QTY PAIR
400	301-4217-01	SINGLE FLANGE LOWER ROLLER, METAL	5	10
401	301-4217-02	HEX HEAD BOLT (ROLLER TO FRAME) TORQUE TO: 195NM (145 LBS/FT) TORQUE TO: 195NM (145 LBS/FT)	10	20
402	301-4217-03	FLAT WASHER: M14, ZINC PLATED	10	20
600	301-4217-04	GEARBOX	1	2
601	301-4217-05	SOCKET HEAD CAPSCREW (DRIVE TO FRAME) TORQUE TO: 365NM (270 LBS/FT)	8	16
800	301-4217-06	SPROCKET	1	2
801	301-4217-07	SOCKET HEAD CAPSCREW (SPROCKET TO DRIVE) TORQUE TO: 235NM (175 LBS/FT) TORQUE TO: 235NM (175 LBS/FT)	12	24
1010	301-4217-08	IDLER	1	2
1030	301-4217-09	RECOIL TENSIONER	1	2
1400	301-4217-10	RUBBER TRACK BELT	1	2

## 2.7 CAT C1.7 Power Unit



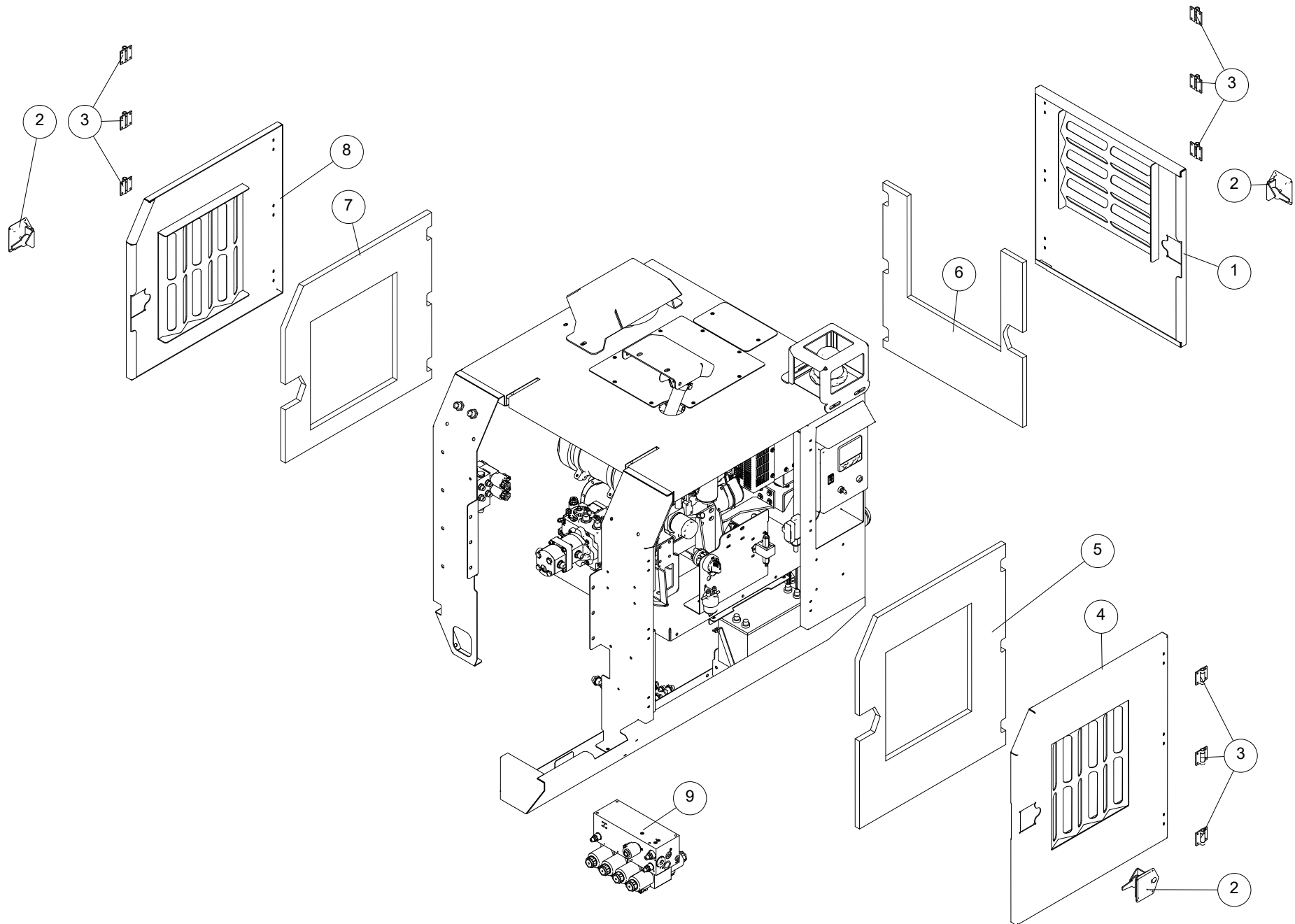
Intentionally Left Blank.

## (1) Flywheel Covers & Guards



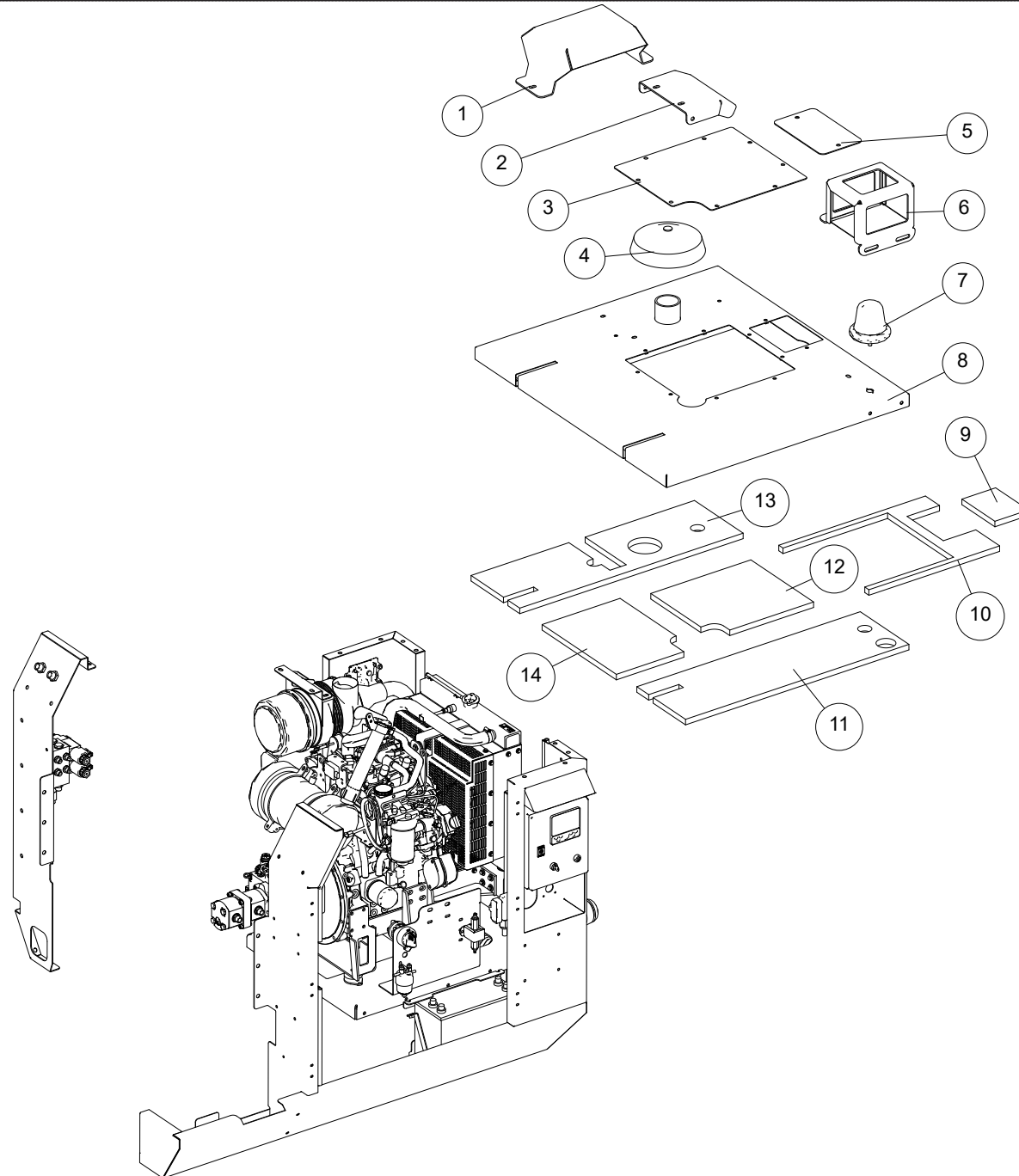
ITEM	PART NUMBER	DESCRIPTION	QTY
1	525-002-000-001.PRT	MOTOR HOUSING CAP	1
2	525-002-013.ASM	MOTOR HOUSING	1
3	525-002-030-001.PRT	DOOR BOX RAM SPACER	1
4	525-002-000-004.PRT	CANOPY LID	1
5	525-002-002.ASM	CANOPEY LOWER RHS	1
6	525-002-012.ASM	RH FLYWHEEL DOOR	1
7	301-1523.ASM	ALBERT JAGGER 9810/63301 4 HOLE HINGE	3
8	301-0379.PRT	POWERUNIT HANDLE	1
9	525-002-011.ASM	LH JAW FLYWHEEL DOOR	1
10	525-002-000-006.PRT	LOCKING PLATE	1

**(2) 4 Station Block, Power Unit Door Assemblies**



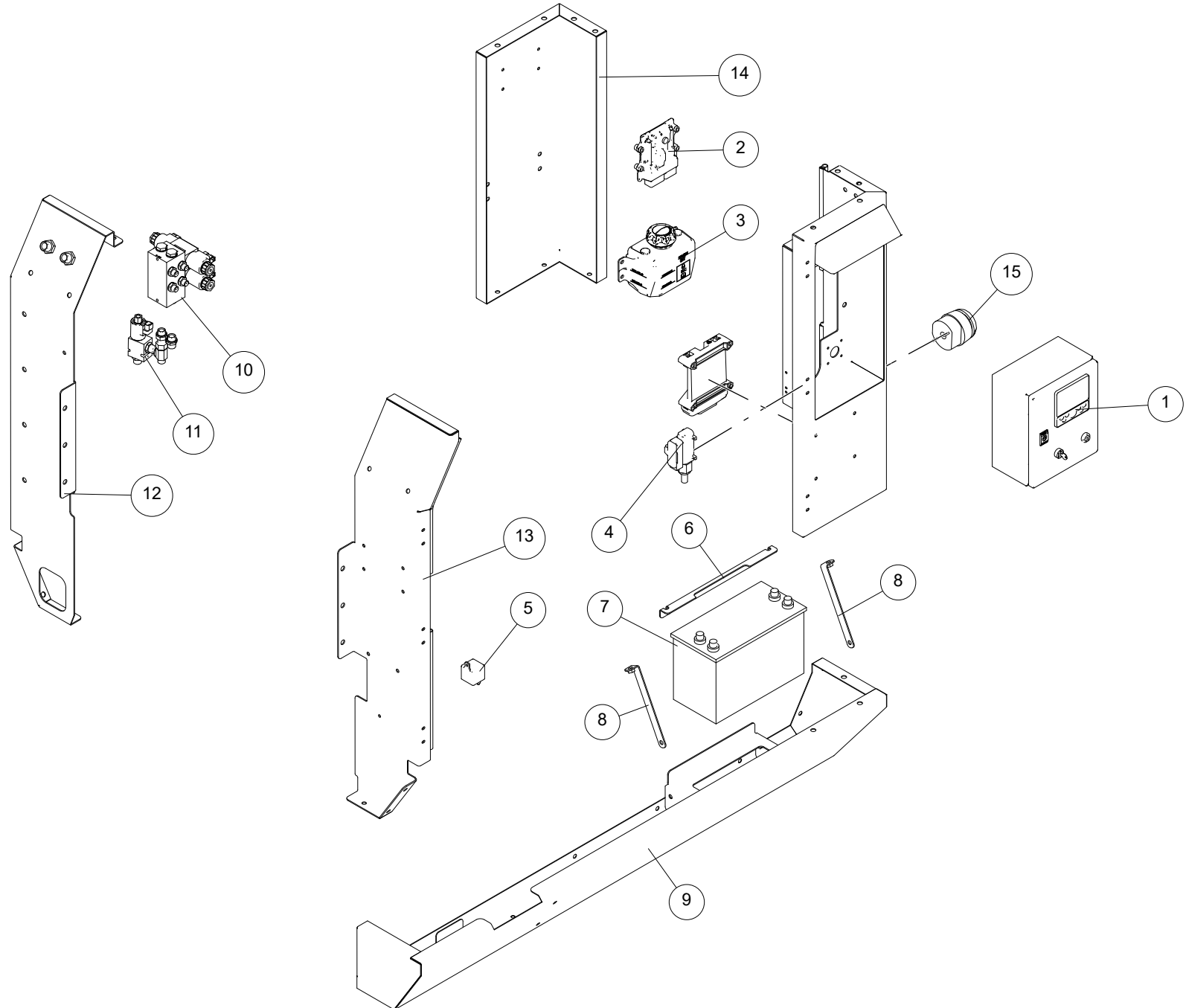
ITEM	PART NUMBER	DESCRIPTION	QTY
1	525-002-005.ASM	REAR POWERUNIT DOOR	1
2	301-0379.PRT	POWERUNIT HANDLE	3
3	301-1523.ASM	ALBERT JAGGER 9810/63301 4 HOLE HINGE	9
4	525-002-003.ASM	LH POWERUNIT DOOR	1
5	301-4264-02.PRT	Acoustic Soundproofing Foam Sheet-Class O-Self Adhesive-Dark Grey	1
6	301-4264-03.PRT	Acoustic Soundproofing Foam Sheet-Class O-Self Adhesive-Dark Grey	1
7	301-4264-01.PRT	Acoustic Soundproofing Foam Sheet-Class O-Self Adhesive-Dark Grey	1
8	525-002-004.ASM	RH POWERUNIT DOOR	1
9	301-4355.PRT	4 STATION BLOCK - SCREEN-JAW - RF C553112	1

### (3) Power Unit Roof Assembly



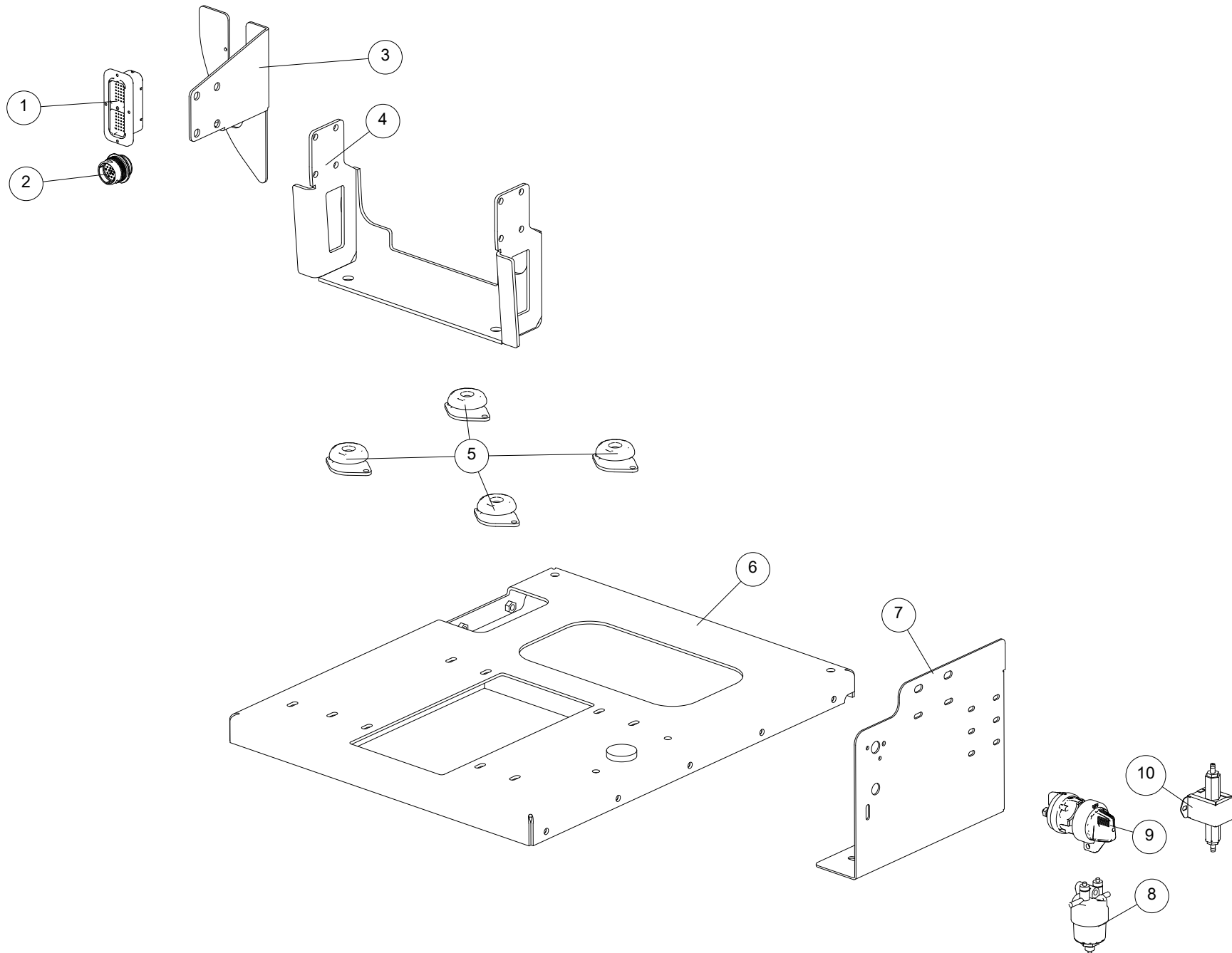
ITEM	PART NUMBER	DESCRIPTION	QTY
1	525-002-027-001.PRT	exhaust cover	1
2	525-002-026-001.PRT	exhaust cover	1
3	525-002-000-002.PRT	CANOPY LID	1
4	301-4258-04	AIR INLET DUST CAP	1
5	525-002-000-003.PRT	CANOPY LID	1
6	525-002-028.ASM	BEACON AND ANTENNA GUARD	1
7	301-0241.PRT	BEACON LIGHT C/W PANEL/LOOM	1
8	525-002-008.ASM	POWERUNIT CANOPEY	1
9	301-4264-08.PRT	Acoustic Soundproofing Foam Sheet-Class O-Self Adhesive-Dark Grey	1
10	301-4264-09.PRT	Acoustic Soundproofing Foam Sheet-Class O-Self Adhesive-Dark Grey	1
11	301-4264-04.PRT	Acoustic Soundproofing Foam Sheet-Class O-Self Adhesive-Dark Grey	1
12	301-4264-07.PRT	Acoustic Soundproofing Foam Sheet-Class O-Self Adhesive-Dark Grey	1
13	301-4264-05.PRT	Acoustic Soundproofing Foam Sheet-Class O-Self Adhesive-Dark Grey	1
14	301-4264-06.PRT	Acoustic Soundproofing Foam Sheet-Class O-Self Adhesive-Dark Grey	1

### (4) Door Posts, Electrical & Hydraulic Components



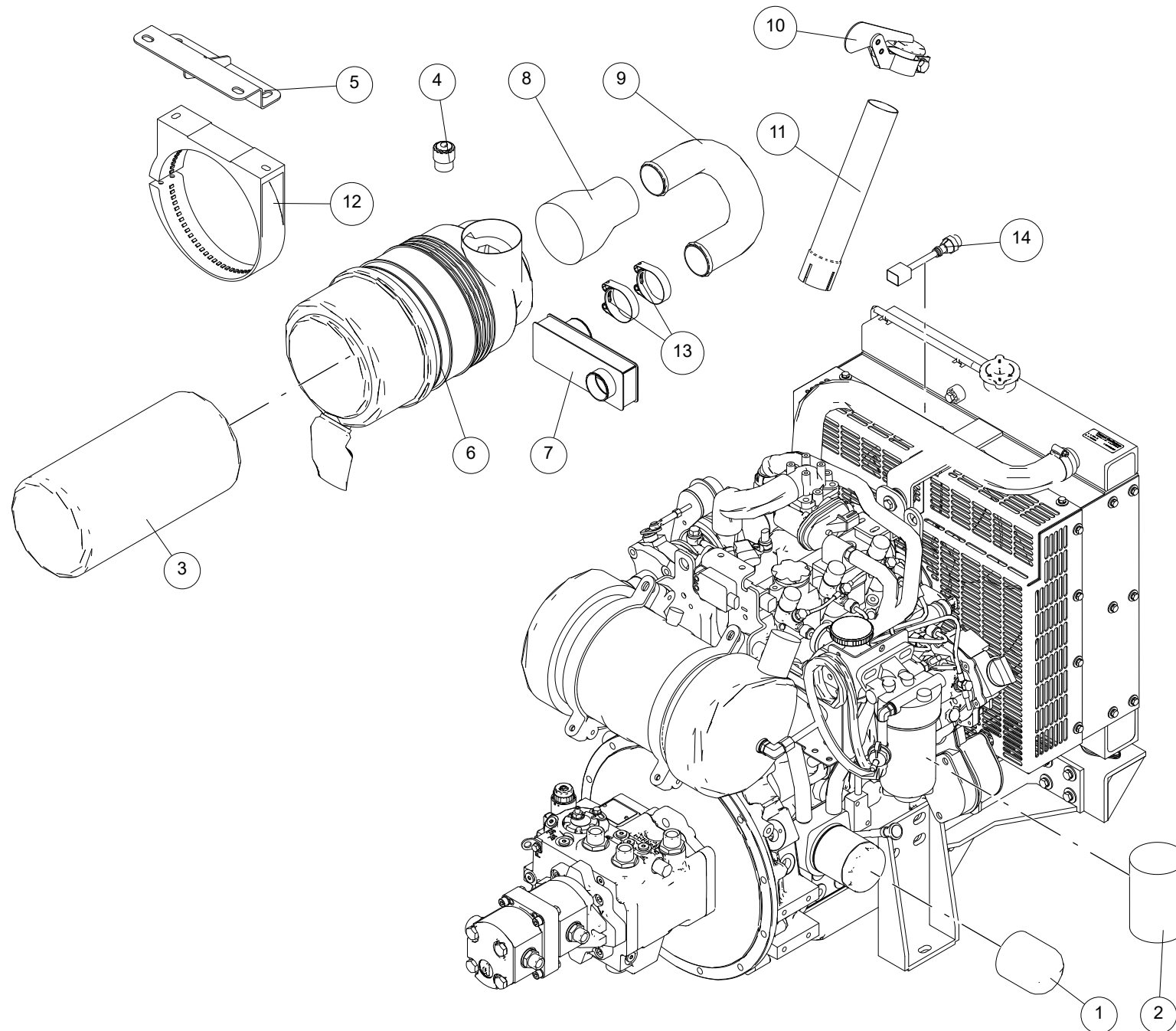
ITEM	PART NUMBER	DESCRIPTION	QTY
1	301-4370.PRT	RCJ65 JMG CONTROL PANEL C1.7 4+2 STATION BLOCK	1
2	301-3470-1.PRT	CAT C1.7 ECU	1
3	S302-106.PRT	RAD OVERFLOW	1
4	301-1005.PRT	TRACK PLUG C/W PANE/LOOM	1
5	301-4401	12V RELAY	1
6	525-002-000-005.PRT	BATTERY STRAP	1
7	301-0970.PRT	YBX3642 115Ah 1000A Super Heavy Duty Battery (JCB & CAT 4.4)	1
8	525-002-016.ASM	BATTERY STRAP TENSIONER	2
9	525-002-001.ASM	CANOPEY LOWER LHS	1
10	301-4356.PRT	Cetop 3 Standard 2 station Assembly	1
11	301-4357.PRT	N.O Solenoid Valve 12vdc Deitsch G038 D-DES2C00ID12B2A	1
12	525-002-010.ASM	RH DOOR POST	1
13	525-002-009.ASM	LH DOOR POST	1
14	525-002-006.ASM	POWERUNIT REAR RH POST	1
15	301-0239-01	SAFETY SIREN	1

**(5) Connector Plugs, Water Separator, Isolator, Electric Lift Pump, Engine Mounts**



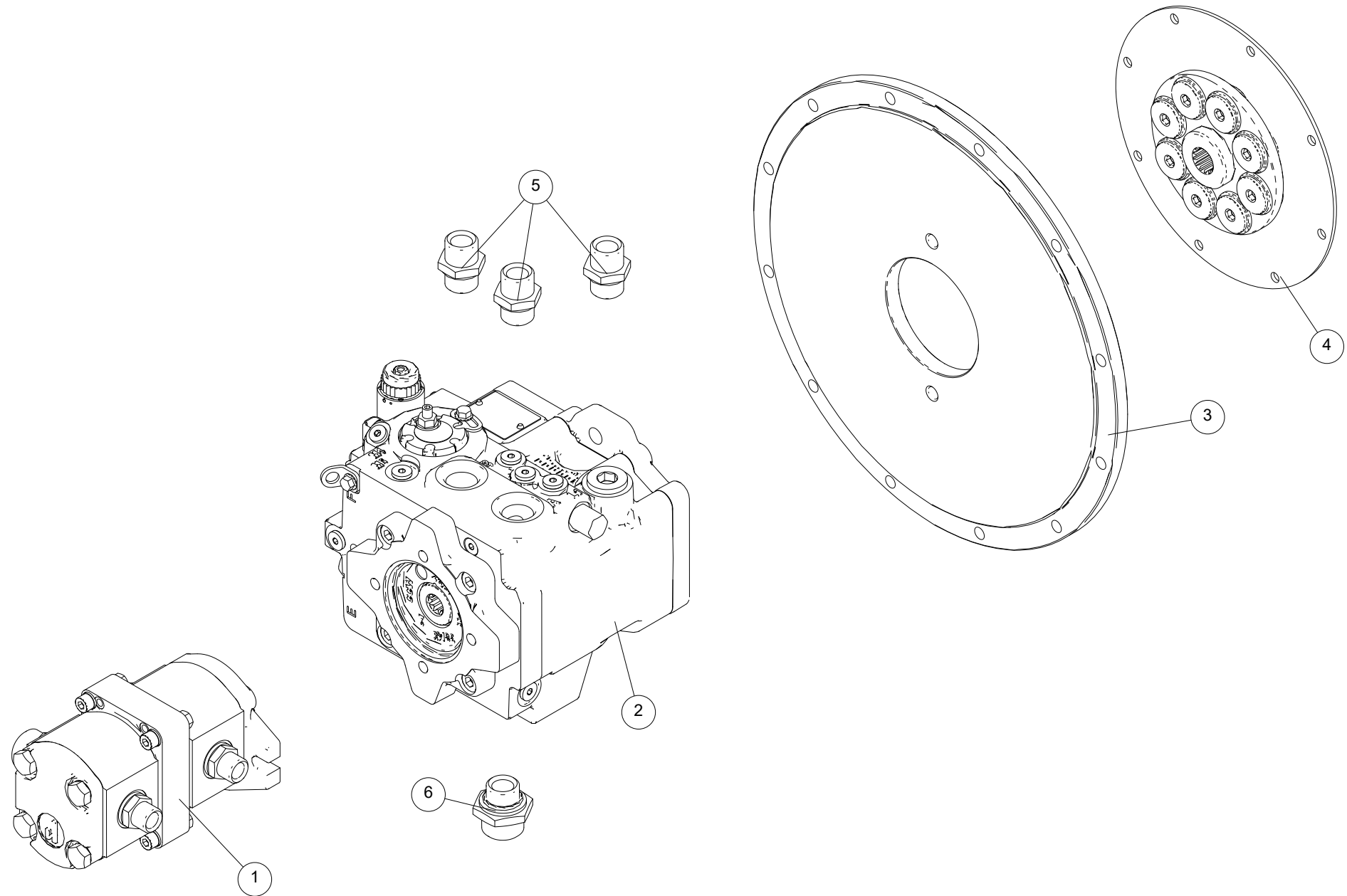
ITEM	PART NUMBER	DESCRIPTION	QTY
1	C-DRC12-70PA-D-3D.PRT	CONNECTOR PLUG	1
2	C-HDP24-24-19PE-C-3D.PRT	CONNECTOR PLUG	1
3	525-002-025-001.PRT	CAT STAGE V 1.7 PLUG MOUNTING PLATE	1
4	201-9505.ASM	CAT 3.6 FRONT ENGINE LEGS STAGE V	1
5	301-2263.PRT	CAT 2.2 ENGINE MOUNT FOOT	4
6	525-001-002-001.PRT	ENGINE MOUNTING PLATE	1
7	525-001-000-005.PRT	FUEL FILTER MOUNT PLATE	1
8	301-3470-2.PRT	CAT C1.7 PRIMARY FUEL FILTER AND WATER SEP	1
9	301-4142-001.PRT	ISOLATOR	1
10	301-3470-3.PRT	CAT C1.7 ELECTRIC LIFT PUMP	1

**(6) Coolant Sensor, Filter Elements, Air & Exhaust System**



ITEM	PART NUMBER	DESCRIPTION	QTY
1	301-4258-02.PRT	OIL FILTER	1
2	301-4258-01.PRT	FUEL FILTER ELEMENT	1
3	301-4258-03.PRT	AIR FILTER	1
4	301-4258-05.PRT	AIR BLOCKAGE INDICATOR	1
5	525-002-017.ASM	AIR FILTER MOUNT	1
6	301-4258-06.ASM	AIR CLEANER HOUSING	1
7	301-4250-02.ASM	RC-C650 C1.7 CAT STAGE 5 INTAKE PIPE	1
8	S302-107.PRT	cat supplier air inlet reducer	1
9	301-4250-01.PRT	RC-C650 AIR INLET PIPE W/M18 PORT	1
10	301-4250-04.PRT	RAIN CAP 48mm	1
11	301-4250-03.PRT	RC-C650 EXHAUST OUTLET - STAINLESS	1
12	301-4258-07.PRT	AIR CLEANER CLAMP	1
13	301-3331.PRT	BAND CLAMP 2"	2
14	301-3046.PRT	CAT COOLANT LEVEL SENSOR 430-9454	1

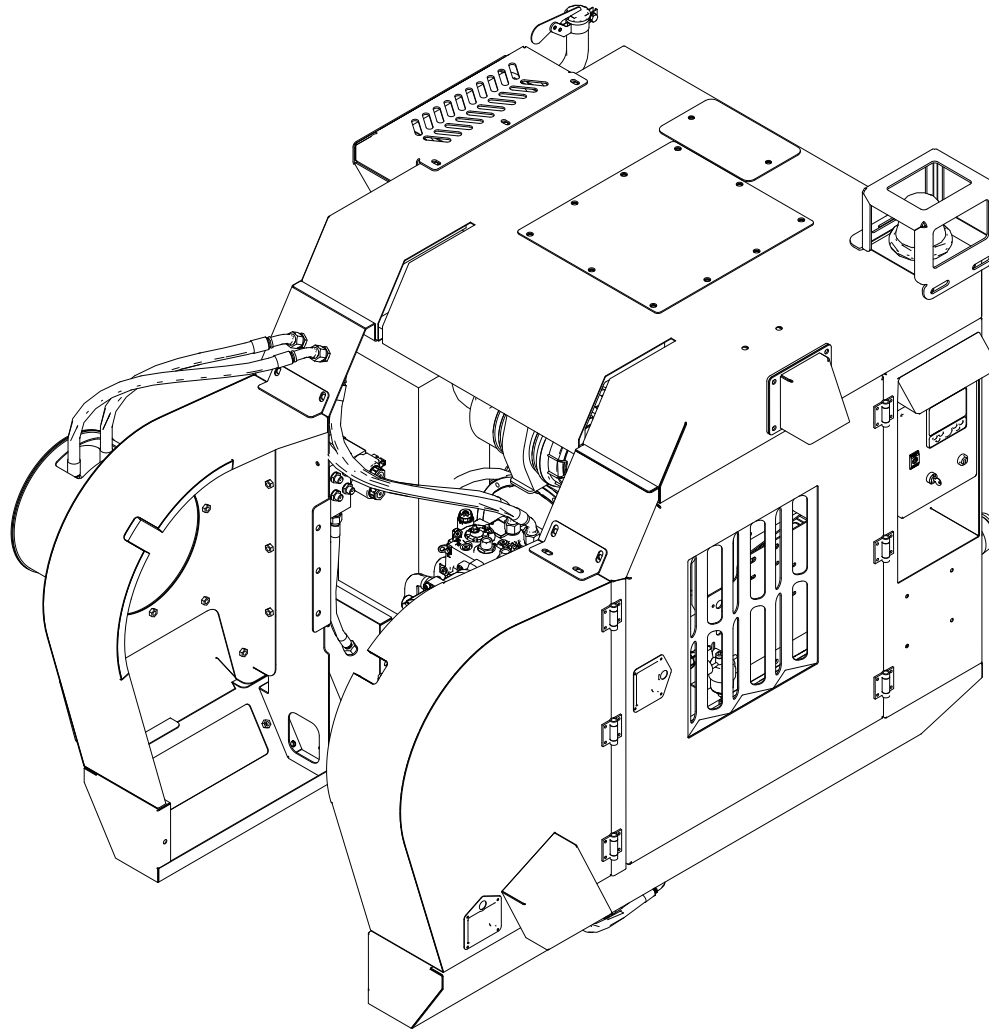
**(7) Drive System**



---

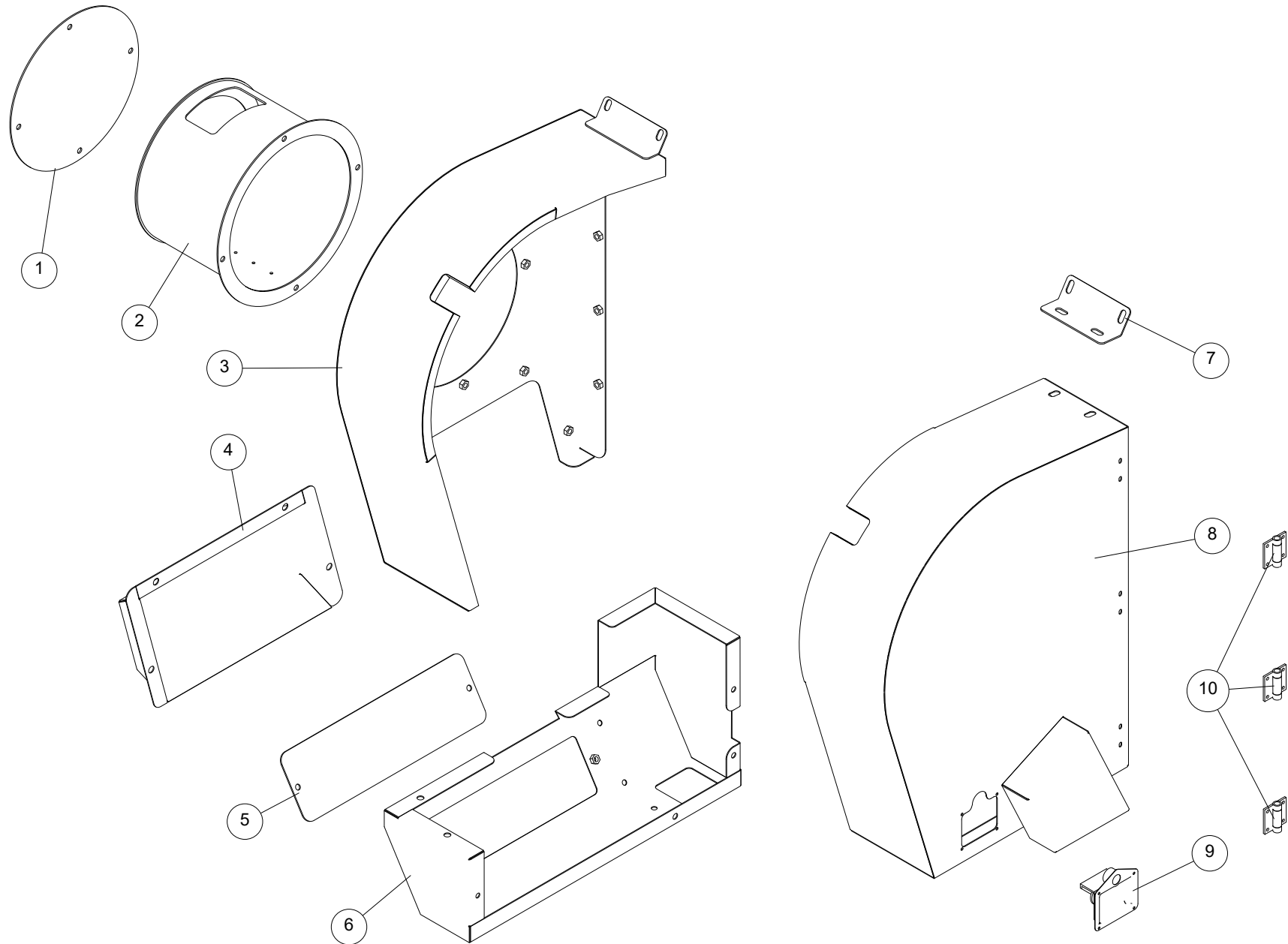
ITEM	PART NUMBER	DESCRIPTION	QTY
1	301-4358.PRT	8CC 8CC TANDUM GEAR PUMP 3/4" INLET	1
2	301-4228.PRT	DANFOSS-MP1-P-28R-AS-NNN-SA9-C1-F-F6-S-A16-D- 260-260-NN-B-22-A3-RAC-NNN-E080	1
3	301-4225.PRT	RC-J65 SAE 4 PUMP MOUNTING PLATE (RL4/011/070(308309-1)	1
4	301-4226.PRT	RC-J65 ENGINE FLYWHEEL (HM OFC/F7.5/13TBX33-127531)	1
5	301-3815.PRT	ADAPTOR SAE O RING UNF 1 1/16-12 > 3/4" BSP	3
6	301-4368.PRT	ADAPTOR SAE O RING UNF 1 1/16-12 > 1" BSP	1

## 2.8 CAT C2.2 Power Unit



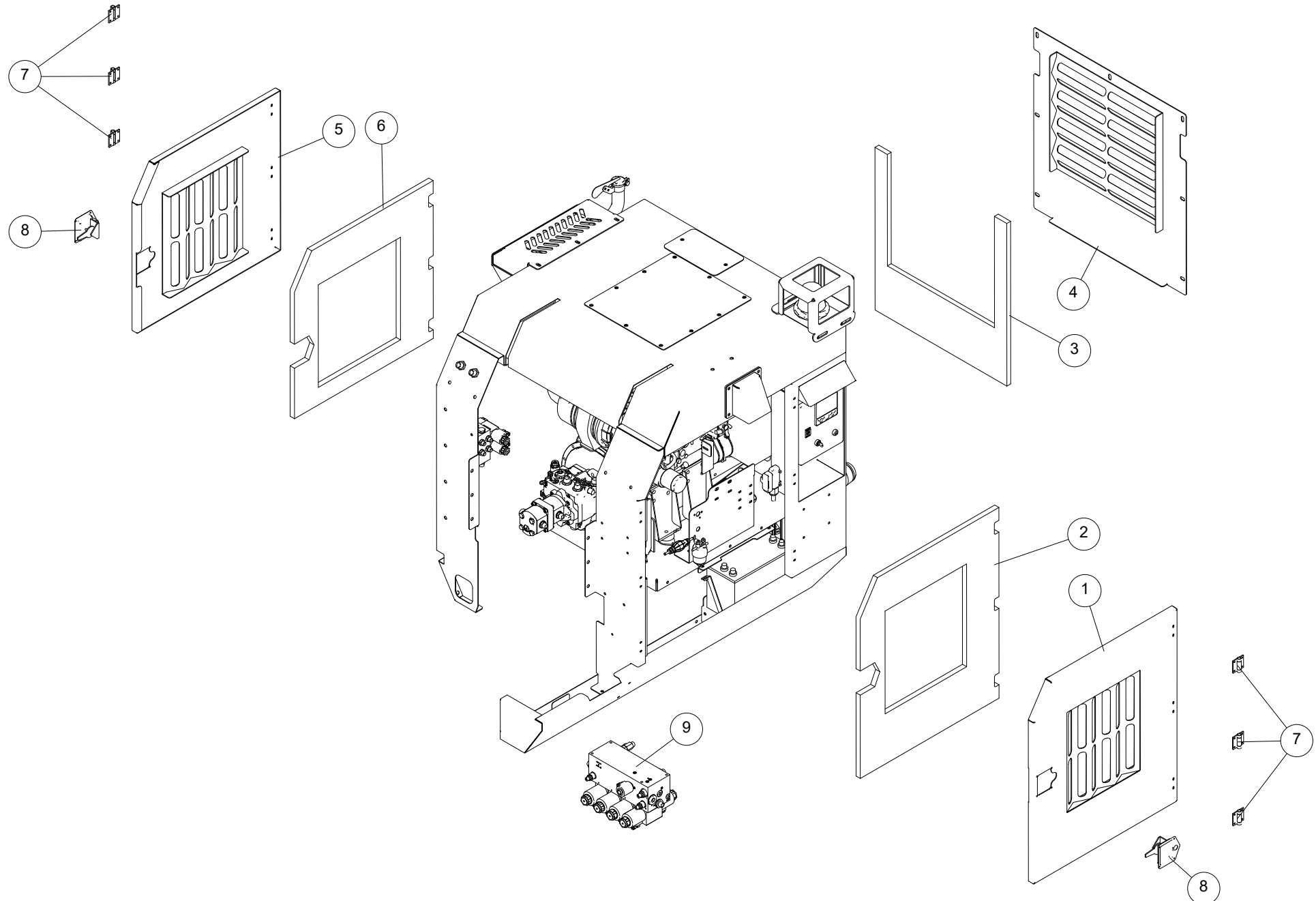
Intentionally Left Blank.

## (1) Flywheel Covers & Guards



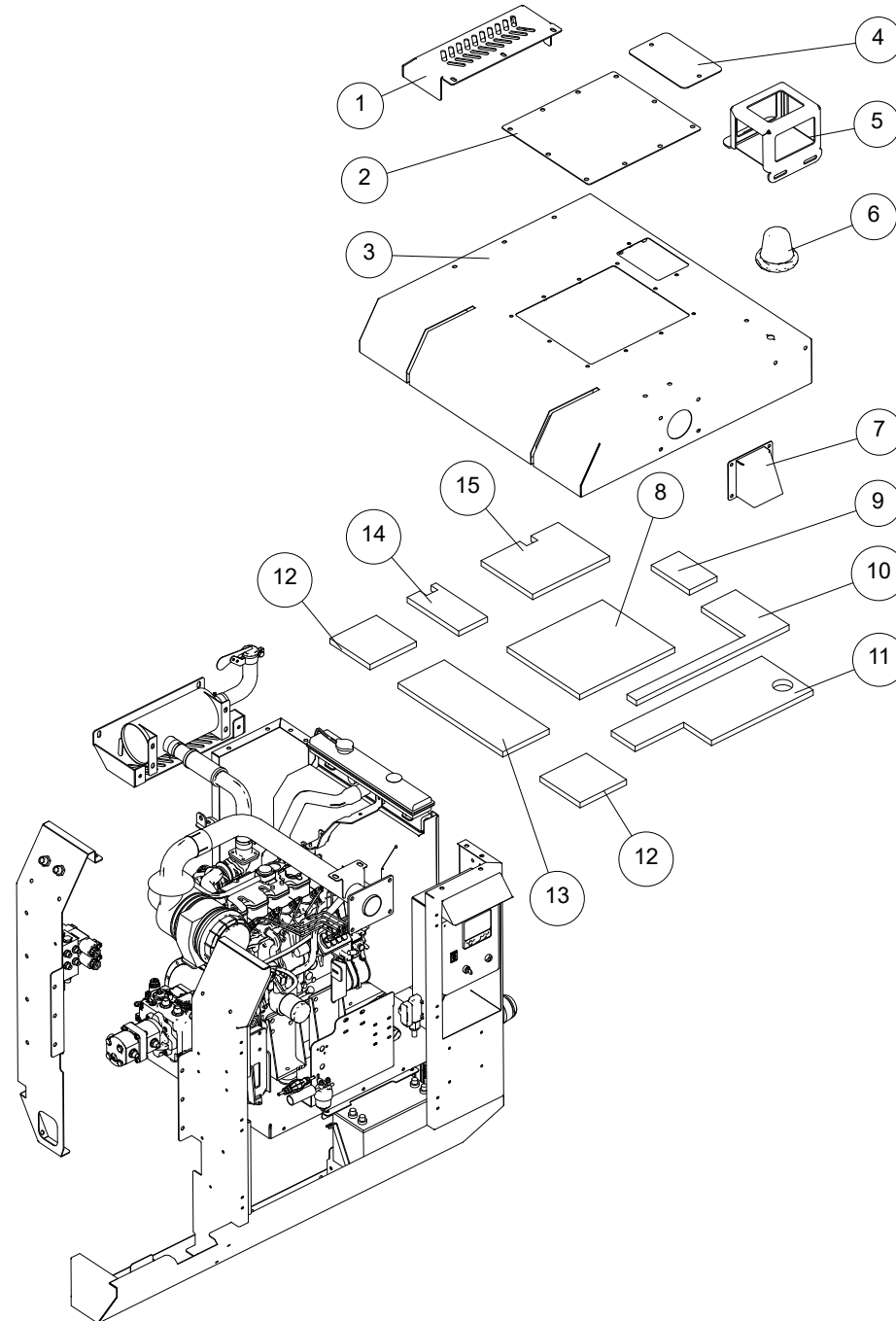
<b>ITEM</b>	<b>PART NUMBER</b>	<b>DESCRIPTION</b>	<b>QTY</b>
1	525-002-000-001.PRT	MOTOR HOUSING CAP	1
2	525-002-013.ASM	MOTOR HOUSING	1
3	525-002-012.ASM	RH FLYWHEEL DOOR	1
4	525-002-030-001.PRT	DOOR BOX RAM SPACER	1
5	525-002-000-004.PRT	CANOPY LID	1
6	525-002-002.ASM	CANOPEY LOWER RHS	1
7	525-002-000-006.PRT	LOCKING PLATE	1
8	525-002-011.ASM	LH JAW FLYWHEEL DOOR	1
9	301-0379.PRT	POWERUNIT HANDLE	1
10	301-1523.ASM	ALBERT JAGGER 9810/63301 4 HOLE HINGE	3

**(2) 4 Station Block, Power Unit Door Assemblies**



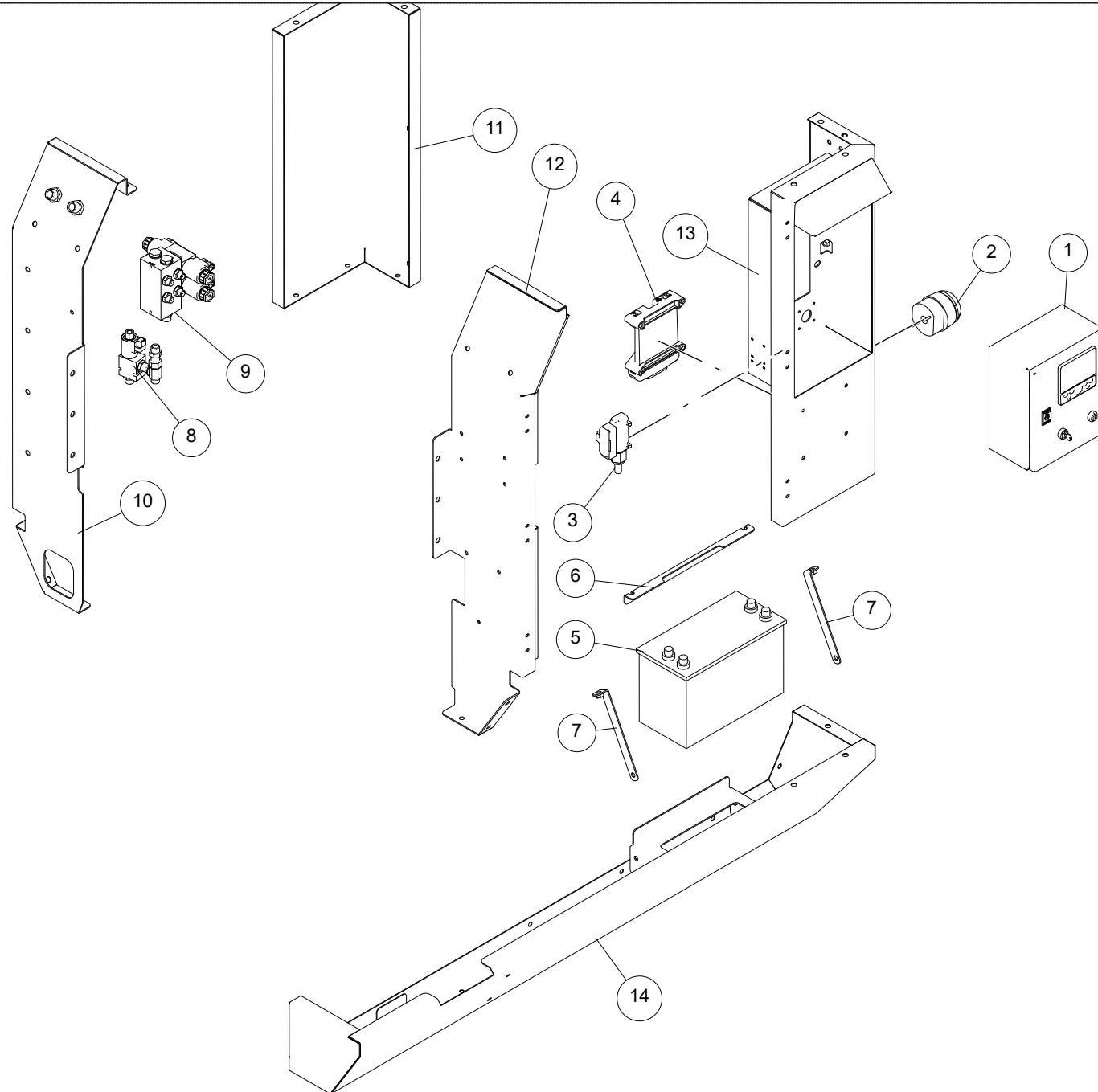
ITEM	PART NUMBER	DESCRIPTION	QTY
1	525-002-003.ASM	LH POWERUNIT DOOR	1
2	301-4264-02.PRT	Acoustic Soundproofing Foam Sheet-Class O-Self Adhesive-Dark Grey	1
3	301-4342-01.PRT	Acoustic Soundproofing Foam Sheet-Class O-Self Adhesive-Dark Grey	1
4	525-012-005.ASM	REAR POWERUNIT DOOR	1
5	525-002-004.ASM	RH POWERUNIT DOOR	1
6	301-4264-01.PRT	Acoustic Soundproofing Foam Sheet-Class O-Self Adhesive-Dark Grey	1
7	301-1523.ASM	ALBERT JAGGER 9810/63301 4 HOLE HINGE	6
8	301-0379.PRT	POWERUNIT HANDLE	2
9	301-4355.PRT	4 STATION BLOCK - SCREEN-JAW - RF C553112	1

### (3) Power Unit Roof Assembly



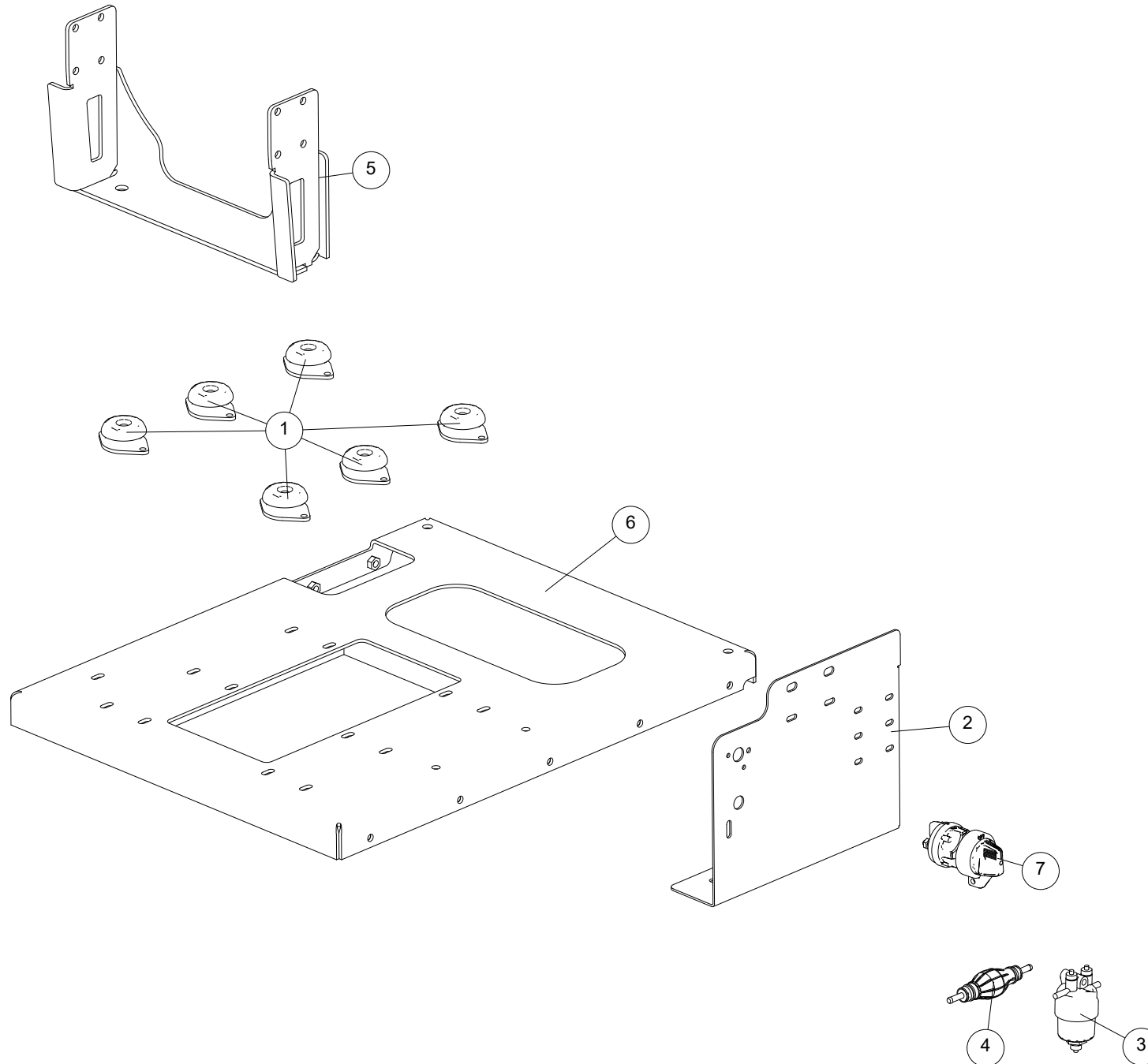
ITEM	PART NUMBER	DESCRIPTION	QTY
1	525-012-020.ASM	UPPER EXHAUST GUARD	1
2	525-012-000-002.PRT	CANOPY LID	1
3	525-012-008.ASM	POWERUNIT CANOPEY	1
4	525-002-000-003.PRT	CANOPY LID	1
5	525-002-028.ASM	BEACON AND ANTENNA GUARD	1
6	301-0241.PRT	BEACON LIGHT C/W PANEL/LOOM	1
7	525-012-010.ASM	AIR INLET SHEILD	1
8	301-4342-04.PRT	Acoustic Soundproofing Foam Sheet-Class O-Self Adhesive-Dark Grey	1
9	301-4342-07.PRT	Acoustic Soundproofing Foam Sheet-Class O-Self Adhesive-Dark Grey	1
10	301-4342-05.PRT	Acoustic Soundproofing Foam Sheet-Class O-Self Adhesive-Dark Grey	1
11	301-4342-06.PRT	Acoustic Soundproofing Foam Sheet-Class O-Self Adhesive-Dark Grey	1
12	301-4342-03.PRT	Acoustic Soundproofing Foam Sheet-Class O-Self Adhesive-Dark Grey	2
13	301-4342-02.PRT	Acoustic Soundproofing Foam Sheet-Class O-Self Adhesive-Dark Grey	1
14	301-4342-09.PRT	Acoustic Soundproofing Foam Sheet-Class O-Self Adhesive-Dark Grey	1
15	301-4342-08.PRT	Acoustic Soundproofing Foam Sheet-Class O-Self Adhesive-Dark Grey	1

**(4) Door Posts, Electrical & Hydraulic Components**



ITEM	PART NUMBER	DESCRIPTION	QTY
1	301-4364.PRT	RCJ65 JMG CONTROL PANEL CAT 2.2 LRC	1
2	301-0239-01	SAFETY SIREN	1
3	301-1005.PRT	TRACK PLUG C/W PANE/LOOM	1
4	CONTROLLER.PRT	CONTROLLER	1
5	301-0970.PRT	YBX3642 115Ah 1000A Super Heavy Duty Battery (JCB & CAT 4.4)	1
6	525-002-000-005.PRT	BATTERY STRAP	1
7	525-002-016.ASM	BATTERY STRAP TENSIONER	2
8	301-4357.PRT	N.O Solenoid Valve 12vdc Deitsch G038 D-DES2C00ID12B2A	1
9	301-4356.PRT	Cetop 3 Standard 2 station Assembly	1
10	525-002-010.ASM	RH DOOR POST	1
11	525-012-006.ASM	POWERUNIT REAR RH POST	1
12	525-002-009.ASM	LH DOOR POST	1
13	525-012-007.ASM	REAR LH POST	1
14	525-002-001.ASM	CANOPEY LOWER LHS	1

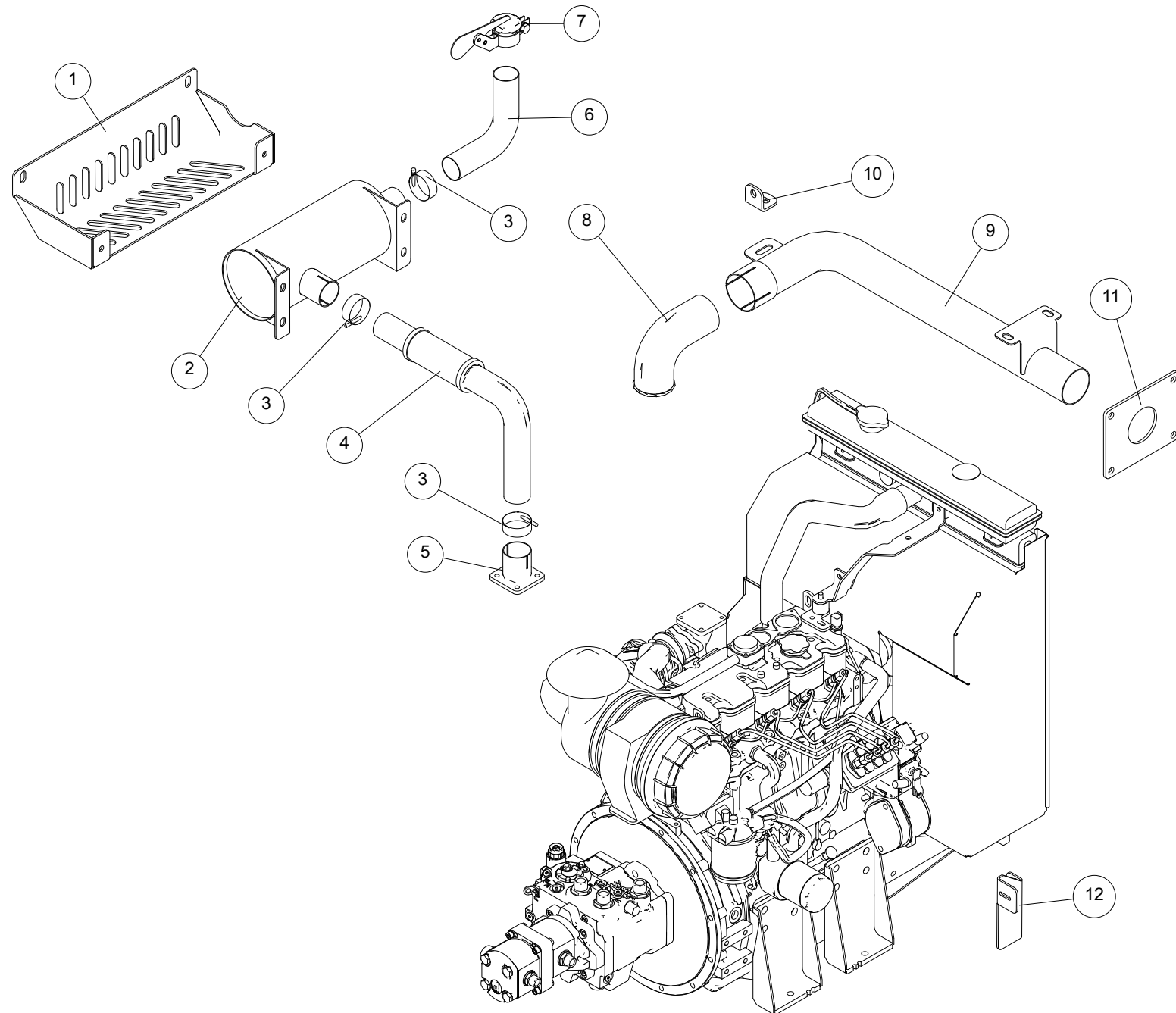
### (5) Priming Pump, Water Separator, Isolator, Engine Mounts



---

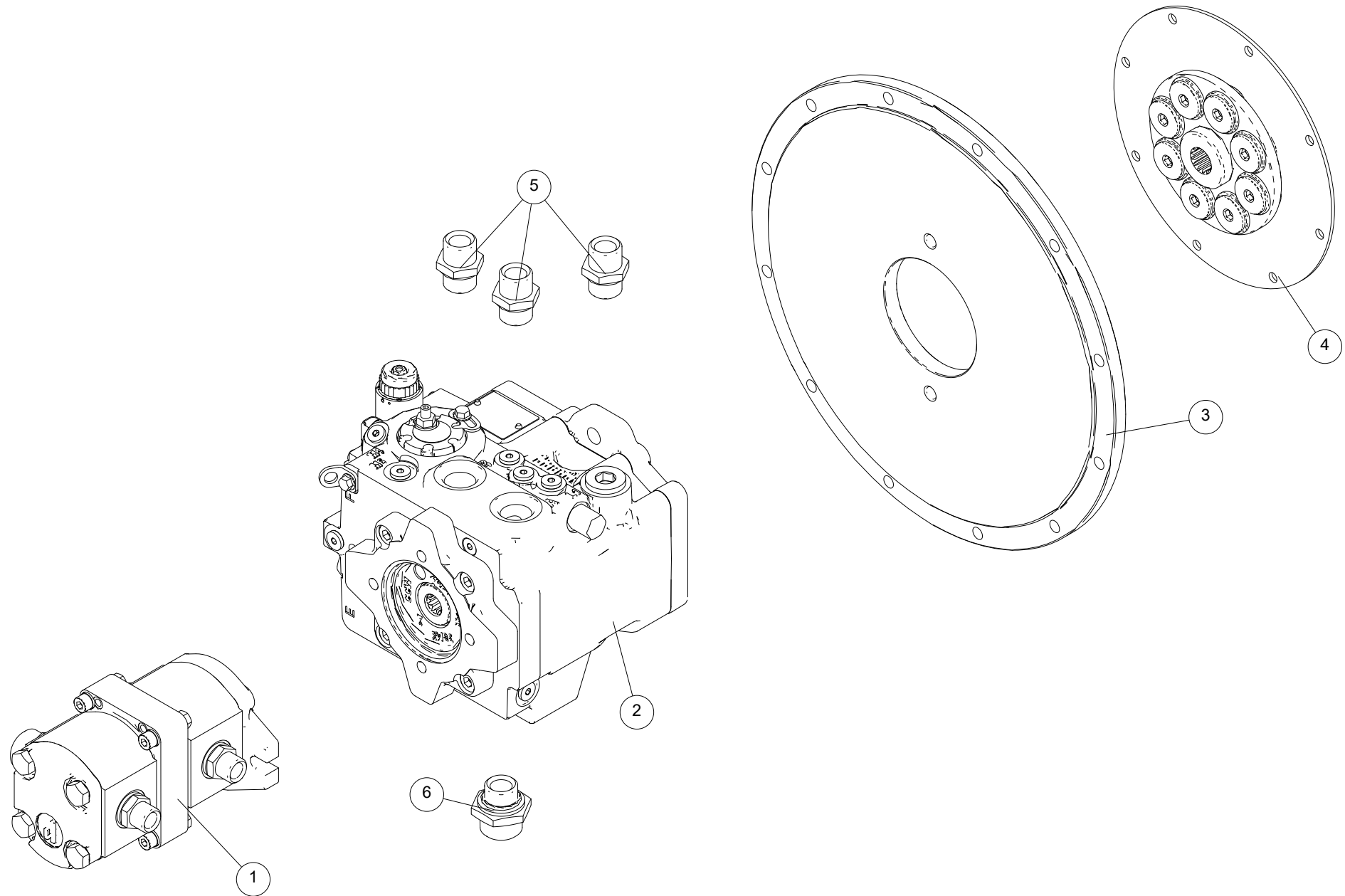
ITEM	PART NUMBER	DESCRIPTION	QTY
1	301-2263.PRT	CAT 2.2 ENGINE MOUNT FOOT	6
2	525-001-000-005.PRT	FUEL FILTER MOUNT PLATE	1
3	301-3470-2.PRT	CAT C1.7 PRIMARY FUEL FILTER AND WATER SEP	1
4	301-4139-002.PRT	INCLINE MANUAL DIESEL PRIMER PUMP	1
5	525-012-024.ASM	CAT 2.2 FRONT ENGINE LEG	1
6	525-012-002-001.PRT	ENGINE MOUNTING PLATE	1
7	301-4142-001.PRT	ISOLATOR	1

**(6) Air & Exhaust System**



ITEM	PART NUMBER	DESCRIPTION	QTY
1	525-012-021.ASM	LOWER EXHAUST GUARD	1
2	301-0012.PRT	2.2 CAT EXHAUST SILENCER BOX	1
3	301-1006.PRT	EXHAUST CLAMP 51-55mm	3
4	301-4350-01.PRT	CAT 2.2 T3A EXHAUST TO SILENCER	1
5	301-0223.PRT	CAT EXHAUST MANIFOLD MTG BRACKET	1
6	301-4350-02.PRT	EXHAUST OUTLET	1
7	301-4250-04.PRT	RAIN CAP 48mm	1
8	301-4350-05.PRT	AIR INLET	1
9	301-4350-06.ASM	AIR INLET	1
10	525-012-000-005.PRT	EXHAUST MOUNT	1
11	525-012-000-003.PRT	AIR BREATHER RUBBER 40 SHORE (200X6X160)	1
12	101-0211.PRT	CAT ENGINE THROTTLE BRACKET	1

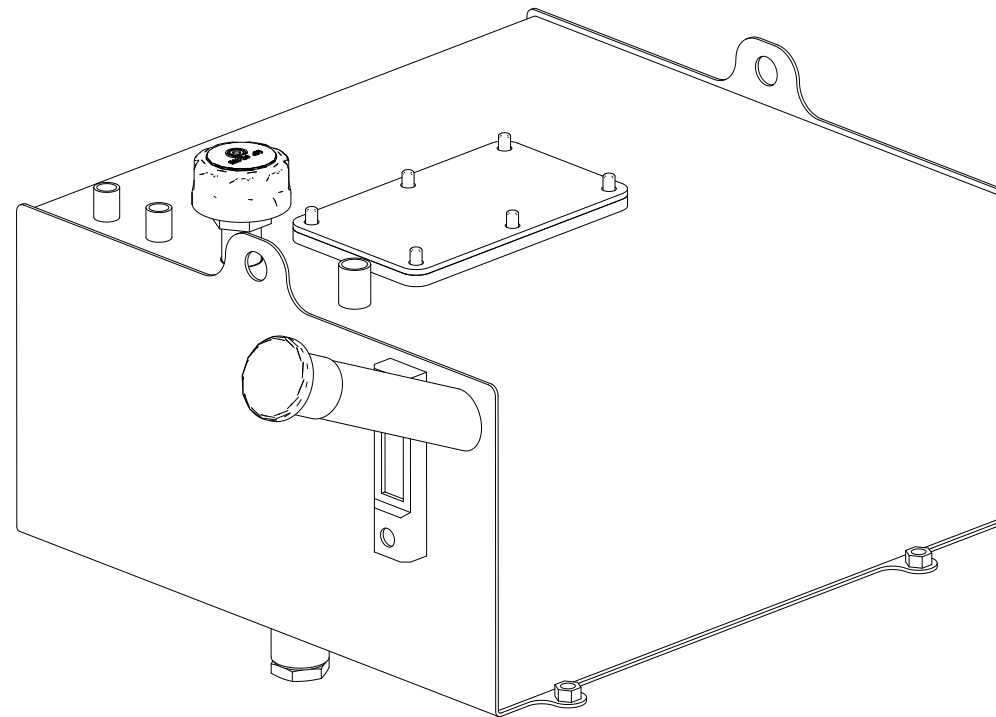
**(7) Drive System**



ITEM	PART NUMBER	DESCRIPTION	QTY
1	301-4358.PRT	8CC 8CC TANDUM GEAR PUMP 3/4" INLET	1
2	301-4228.PRT	DANFOSS-MP1-P-28R-AS-NNN-SA9-C1-F-F6-S-A16-D- 260-260-NN-B-22-A3-RAC-NNN-E080	1
3	301-4225.PRT	RC-J65 SAE 4 PUMP MOUNTING PLATE (RL4/011/070(308309-1)	1
4	301-4226.PRT	RC-J65 ENGINE FLYWHEEL (HM OFC/F7.5/13TBX33-127531)	1
5	301-3815.PRT	ADAPTOR SAE O RING UNF 1 1/16-12 > 3/4" BSP	3
6	301-4368.PRT	ADAPTOR SAE O RING UNF 1 1/16-12 > 1" BSP	1

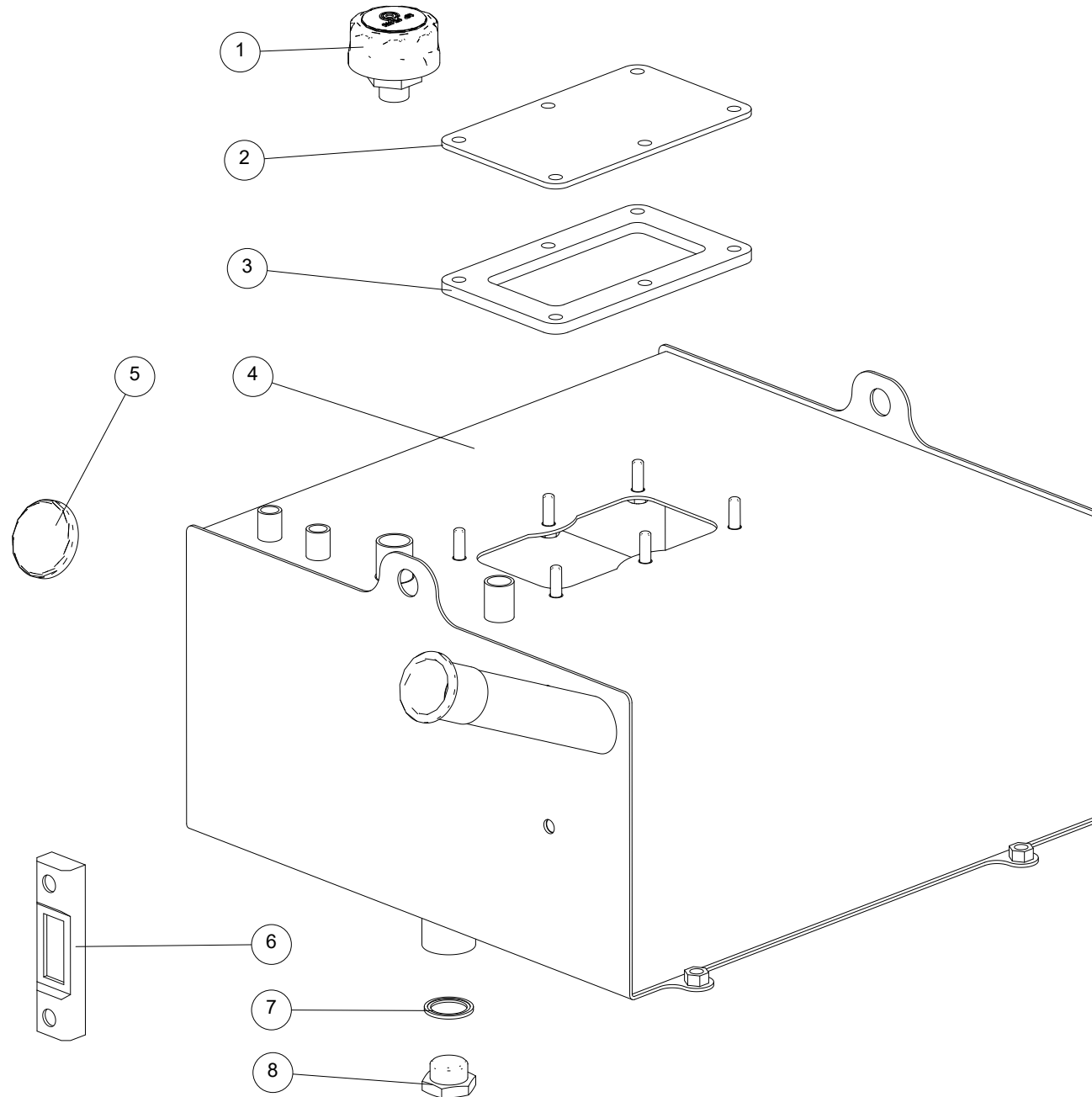
## 2.9 Fuel Tank

---



Intentionally Left Blank.

## (1) Fuel Tank Assembly

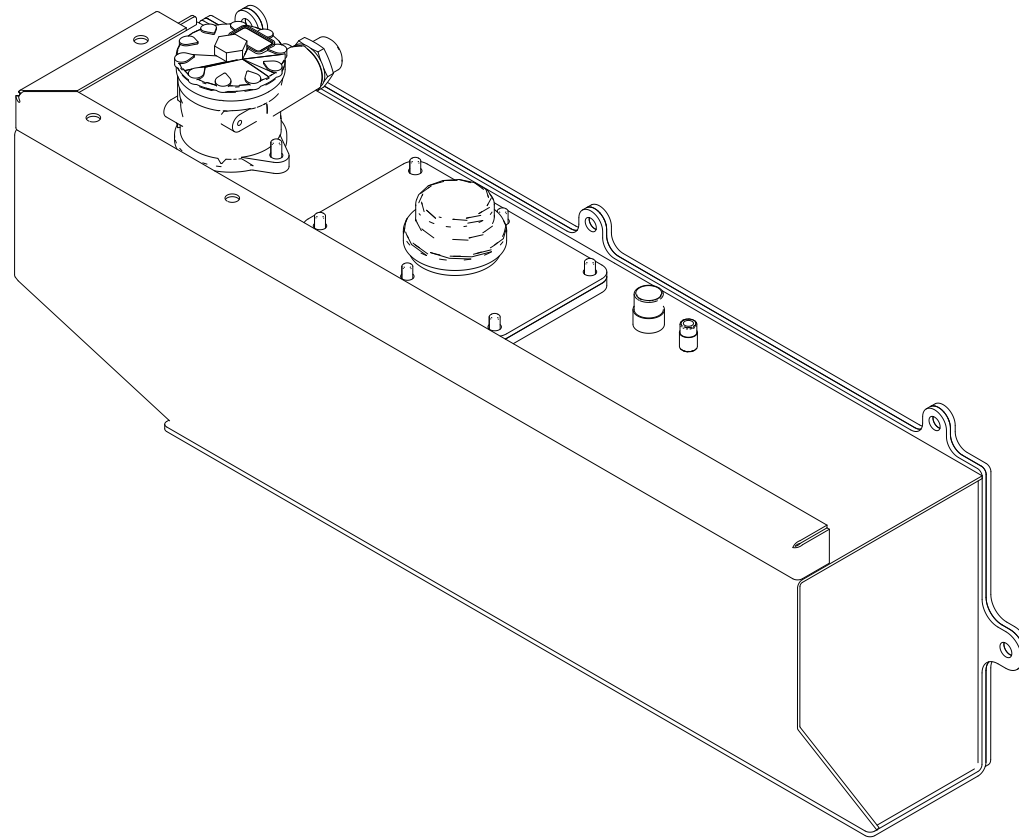


---

ITEM	PART NUMBER	DESCRIPTION	QTY
1	301-3597.PRT	MP FILTRI TA80G100 TANK BREATHER	1
2	525-006-000-002.PRT	TANK LID	1
3	525-006-000-001.PRT	TANK GASKET 10MM WHITE NITRILE	1
4	525-006-001.ASM	RC C650 DIESEL TANK	1
5	301-4259.PRT	FILLER CAP W/V 02272000ZKB Ceandess Ltd	1
6	301-0231.PRT	HYDRAULIC OIL LEVEL GUAGE- 5"	1
7	DOWTY_SEAL_1.PRT	IMP 1" DOWTY SEAL 400.030.4490.41	1
8	ADAPTOR_MALECAP_1.PRT	BSP 1" MALE STOPPER	1

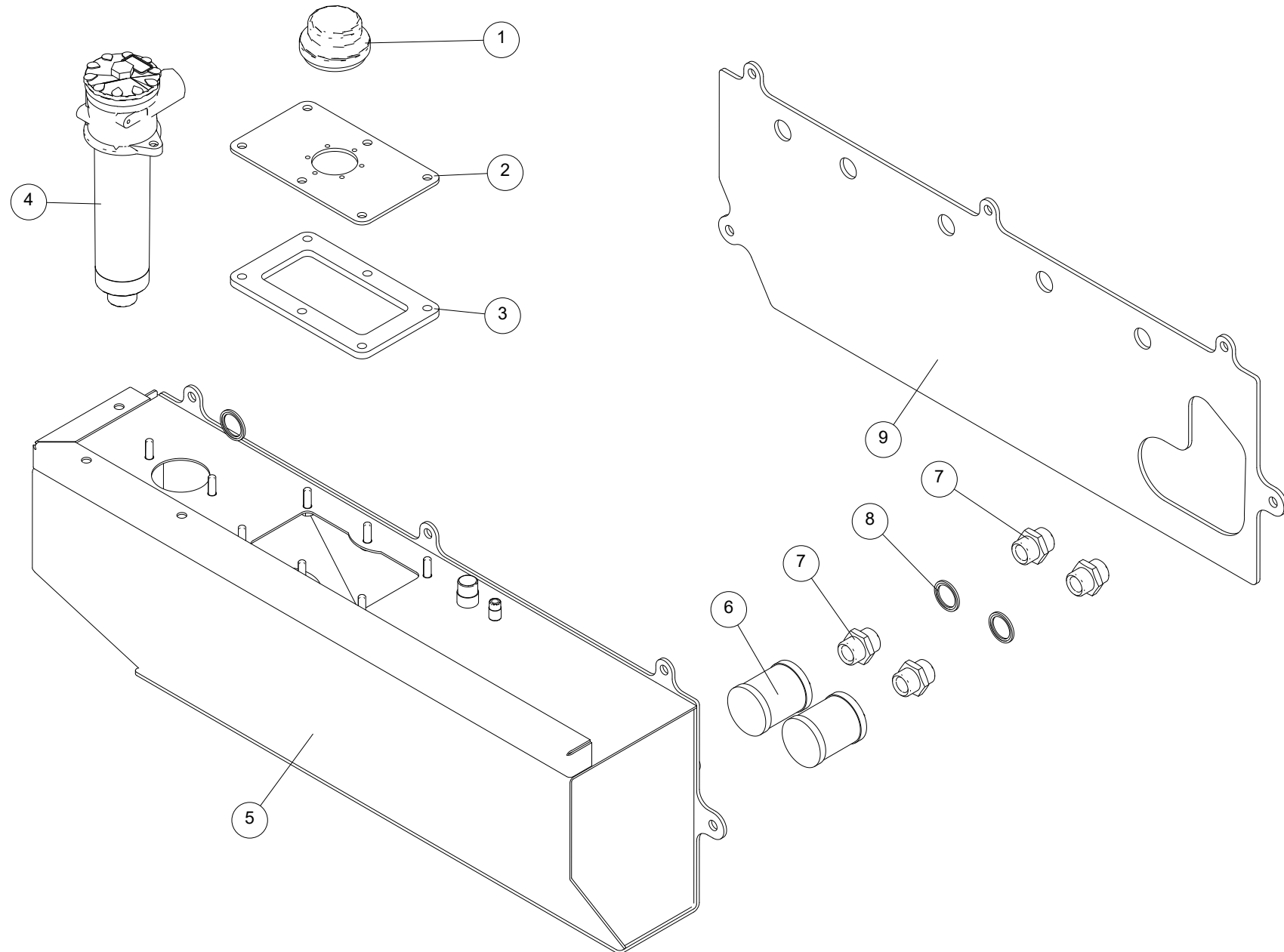
## 2.10 Hydraulic Oil Tank & Hydraulic Components

---



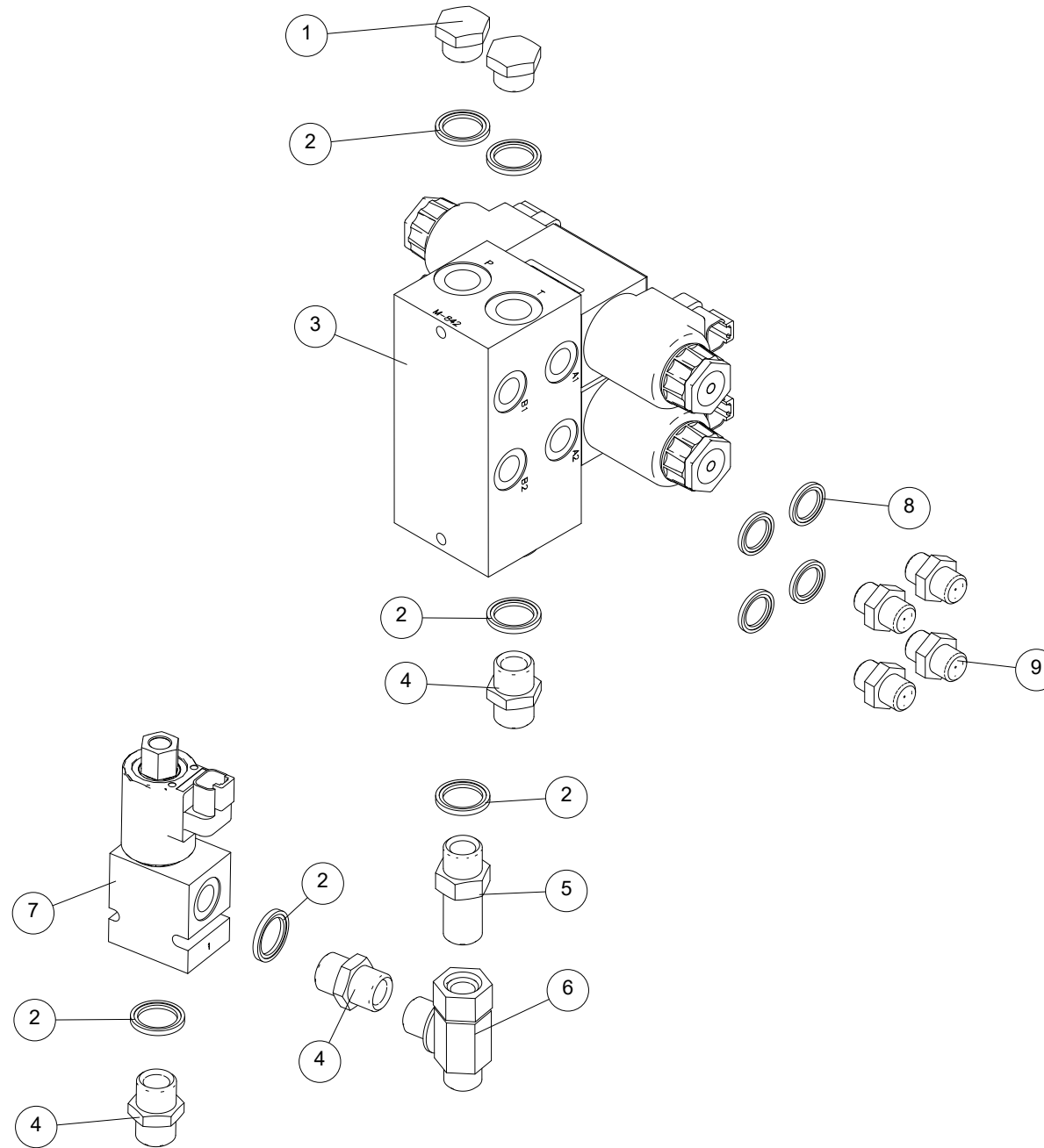
Intentionally Left Blank.

### (1) Hydraulic Oil Tank Assembly



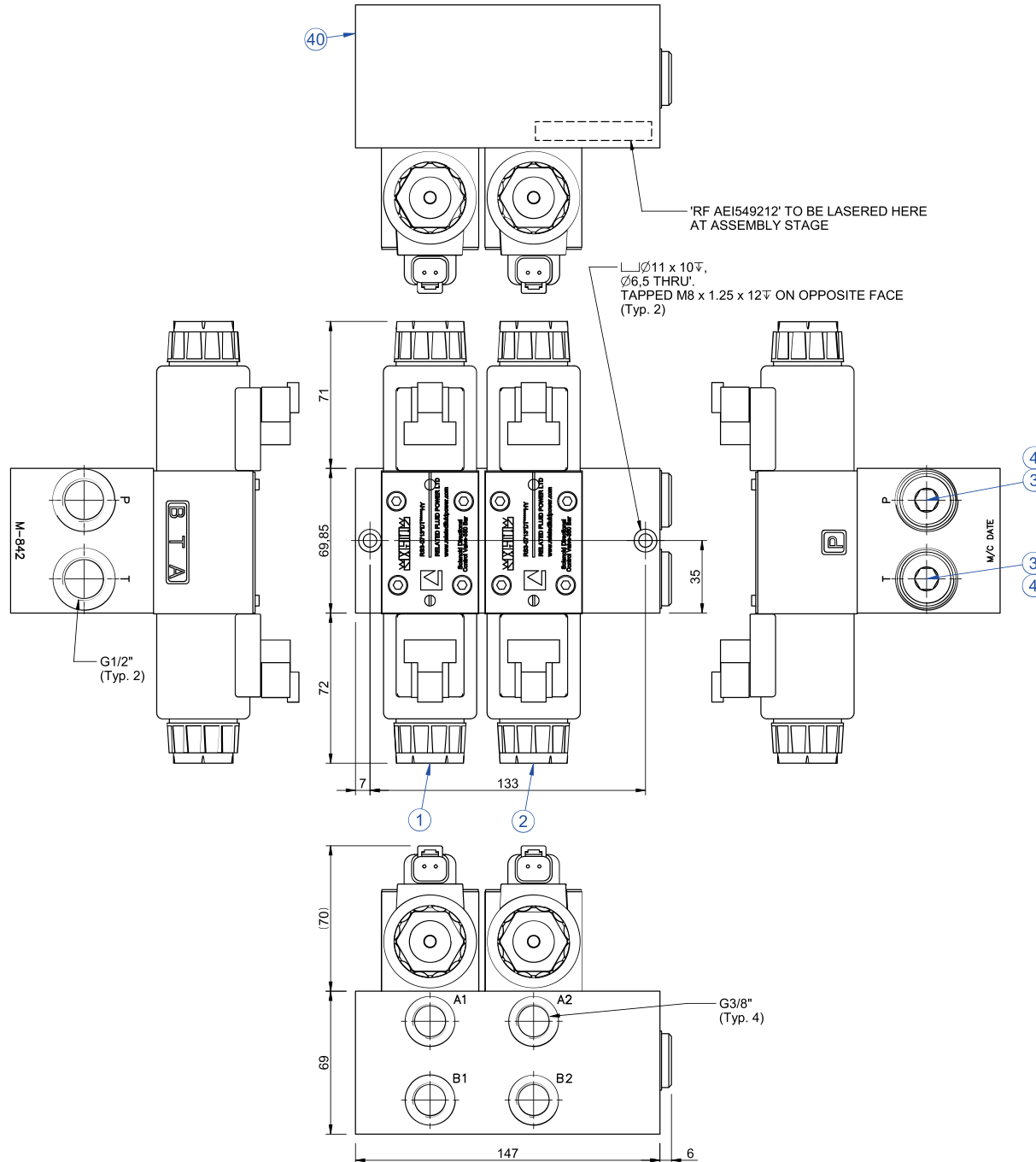
ITEM	PART NUMBER	DESCRIPTION	QTY
1	301-0009.ASM	HYDRAULIC TANK FILLER CAP	1
2	525-006-000-003.PRT	TANK LID	1
3	525-006-000-001.PRT	TANK GASKET 10MM WHITE NITRILE	1
4	301-4325.PRT	RETURN/SUCTION FILTER MRSX1162GAG20A10SP01	1
5	525-006-002.ASM	HYDRAULIC OIL TANK	1
6	301-4269.PRT	SUCTION FILTER STRO70-2-S-G1-M90 3/4"	2
7	ADAPTOR_MM_PP_1X1.PRT	BSP1" X 1" M/M P/P ADAPTOR	4
8	DOWTY_SEAL_1.PRT	IMP 1" DOWTY SEAL 400.030.4490.41	2
9	525-006-000-004.PRT	HYD TANK DAMPENER 6MM RUBBER 60 SHORE	1

**(2) 2 Station Block & Cetop**



ITEM	PART NUMBER	DESCRIPTION	QTY
1	ADAPTOR_MALECAP_1-2	BSP 1/2" MALE STOPPER	2
2	DOWTY_SEAL_1-2.PRT	IMP 1/2" DOWTY SEAL 400.025.4490.41	6
3	301-4356.PRT	Cetop 3 Standard 2 station Assembly	1
4	ADAPTOR_MM_PP_1-2X1-2	BSP1/2" X 1/2" M/M P/P ADAPTOR	3
5	ADAPTOR_BULKHEAD_1-2	BULKHEAD ADAPTOR 1/2"	1
6	301-3837.PRT	1/2" TEE M/F/M	1
7	301-4357.PRT	N.O Solenoid Valve 12vdc Deitsch G038 D-DES2C00ID12B2A	1
8	DOWTY_SEAL_3-8.PRT	IMP 3/8" DOWTY SEAL 400.023.4490.41	4
9	301-3367.PRT	3/8" M/M ADAPTER 1MM RESTRICTION	4

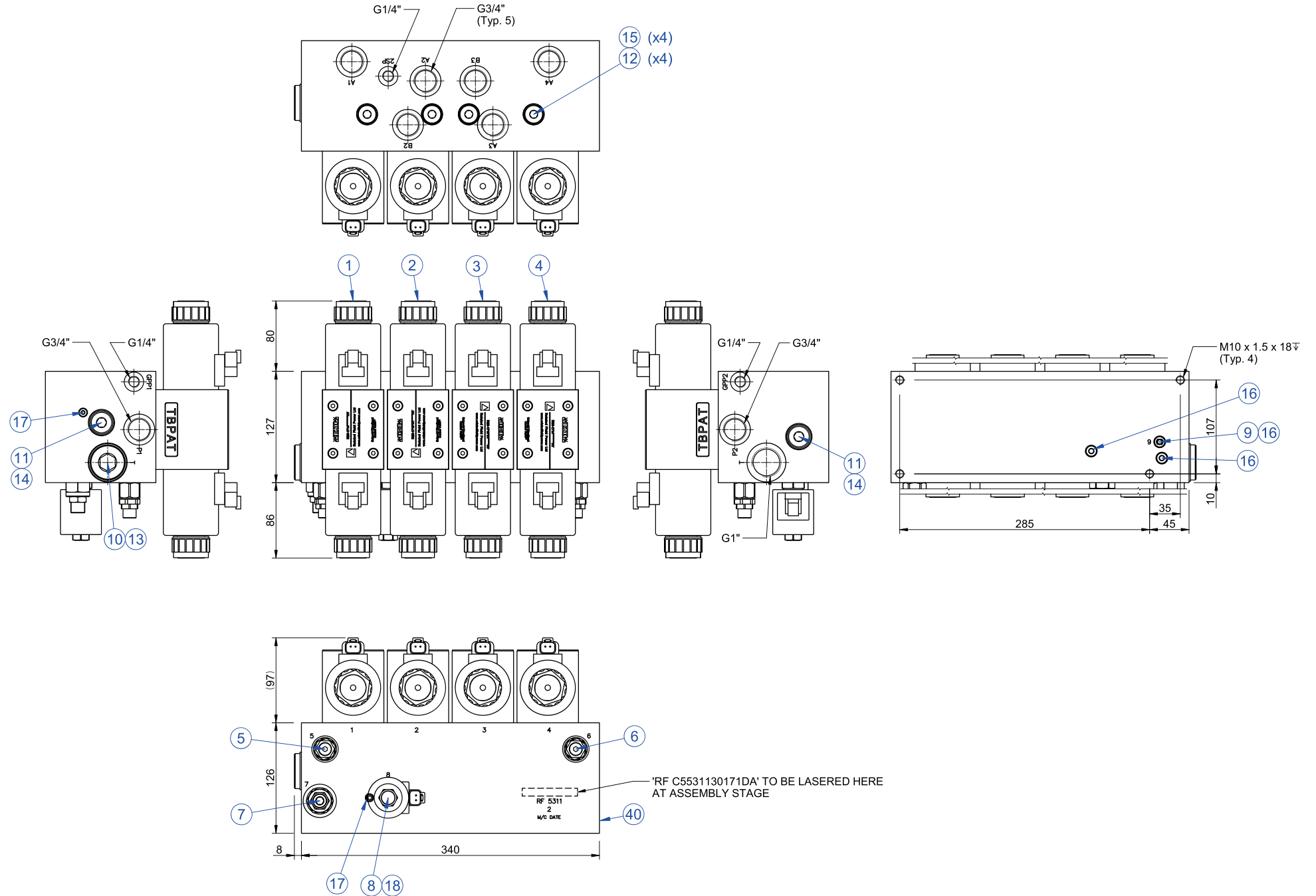
(a) 2 Station Block



---

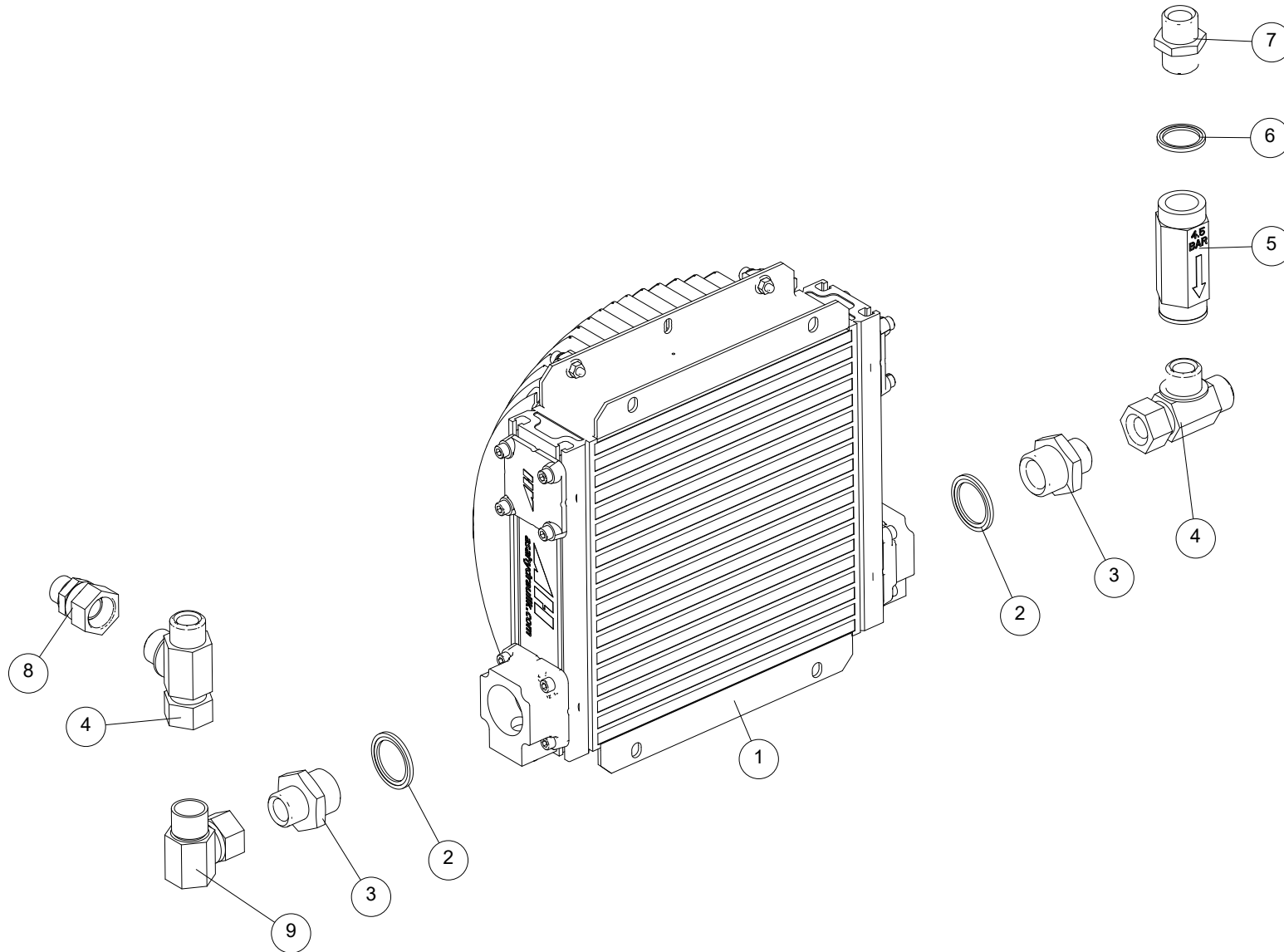
ITEM	PART NUMBER	DESCRIPTION	QTY
1,2	301-4356-01	CETOP 3 DIRECTIONAL VALVE	2
3	301-4356-02	G1/2" BONDED SEAL WASHER	2
4	301-4356-03	G1/2" ALLEN HEADED PLUG	2
40	301-4356-04	MANIFOLD, ALUMINIUM 6082T6, 2.3/4"SQ. X 147MM	1

**(3) CETOP 5 Tracked Assembly**



ITEM	PART NUMBER	DESCRIPTION	QTY
1 & 4	301-4355-01	CETOP 5 DIRECTIONAL VALVE, 4W3P, TANDEM CENTRE, 350 BAR MAX, 12VDC DEUTSCH	2
2 & 3	301-4355-02	CETOP 5 DIRECTIONAL VALVE, 4W3P, FIGURE FOUR CENTRE, 350 BAR MAX, 12VDC DEUTSCH	2
5 & 6	301-4355-03	SIZE 10 RELIEF VALVE, DIRECT ACTING, POPPET, 80 LPM, 10-240 BAR	2
7	301-4355-04	SIZE 10 PRESSURE REDUCING / RELIEVING VALVE, PILOT OPERATED, 43 LPM, 3.5-103 BAR	1
8	301-4355-05	SIZE 10 SOLENOID VALVE, 3W2P, SPOOL, 22 LPM, 210 BAR	1
9	301-4355-06	M8 GRUB SCREW, Ø0.8MM ORIFICE	1
10	301-4355-07	G1" BONDED SEAL WASHER	1
11	301-4355-08	G1/2" BONDED SEAL WASHER	2
12	301-4355-09	G3/8" BONDED SEAL WASHER	4
13	301-4355-10	G1" ALLEN HEADED PLUG	1
14	301-4355-11	G1/2" ALLEN HEADED PLUG	2
15	301-4355-12	G3/8" ALLEN HEADED PLUG	4
16	301-4355-13	SIZE 04 ZEROLEAK PLUG GOLD	3
17	301-4355-14	SIZE 02 ZEROLEAK PLUG GOLD	2
18	301-4355-15	COIL, 12VDC, DEUTSCH, 20W	1
40	301-4355-16	MANIFOLD, ALUMINIUM 6082T6, 5"SQ. X 340MM	1

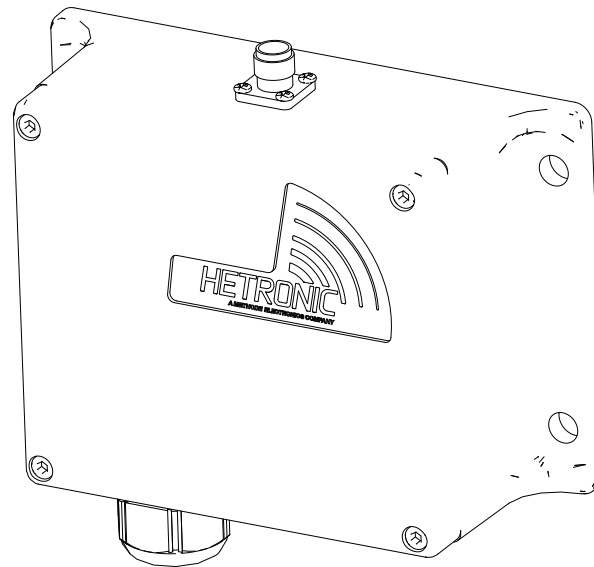
### (4) Hydraulic Oil Cooler



ITEM	PART NUMBER	DESCRIPTION	QTY
1	301-4265.PRT	TT07 12VDC OIL COOIER PUSHER ASATT07RD01DB00	1
2	DOWTY_SEAL_1.PRT	IMP 1" DOWTY SEAL 400.030.4490.41	2
3	ADAPTOR_MM_PP_1X3-4	BSP1" X 3/4" BSP M/M P/P ADAPTOR	2
4	301-0963.PRT	TEE 3/4" M/M/F	2
5	301-4311.PRT	4.5 BAR CHECK VALVE 3/4"	1
6	DOWTY_SEAL_3-4.PRT	IMP 3/4" DOWTY SEAL 400.027.4490.41	1
7	ADAPTOR_MM_PP_3-4X3-4	BSP3/4" X 3/4" M/M P/P ADAPTOR	1
8	ADAPTOR_FM_PP_3-4X1-2	BSP 3/4" X BSP 1/2" F/M ADAPTOR	1
9	301-4380.ASM	1/2" BLOCK 90 M/F (FEMALE SWIVLE)	1

## 2.11 Optional - Radio Remote

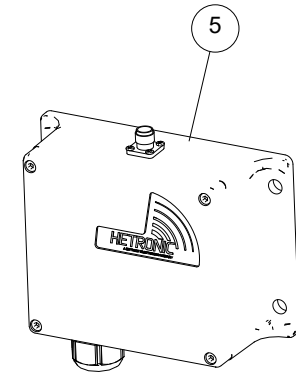
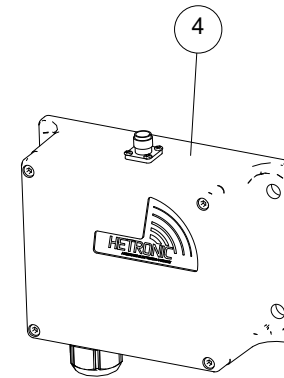
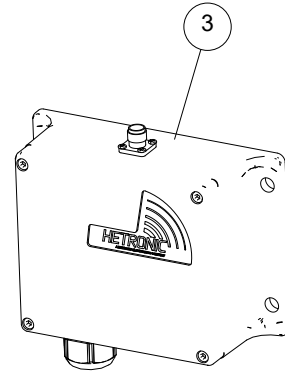
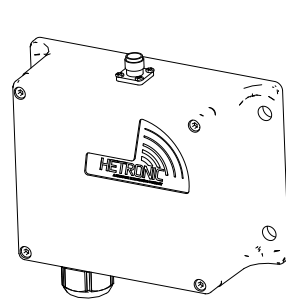
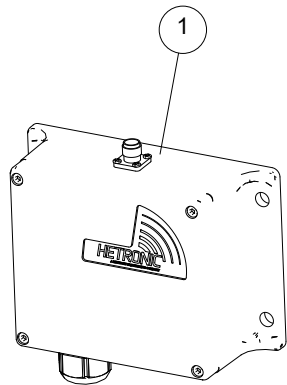
---



Intentionally Left Blank.

## (1) Optional - Radio Remote Types

---

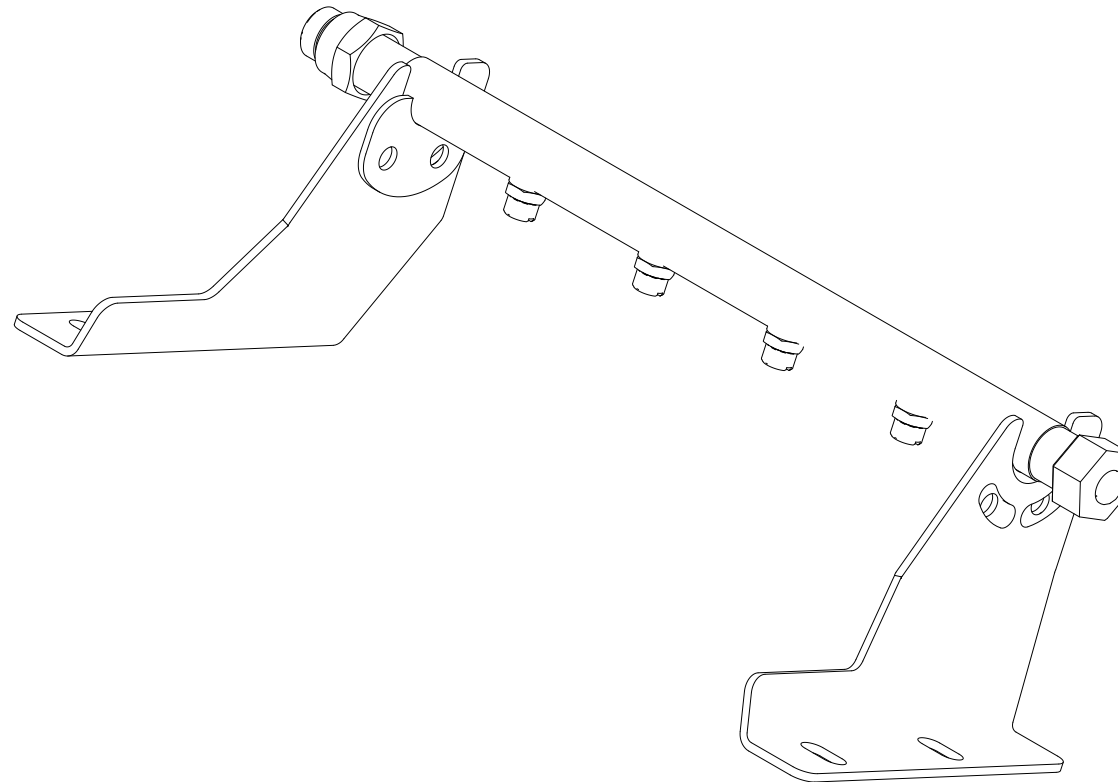


---

<b>ITEM</b>	<b>PART NUMBER</b>	<b>DESCRIPTION</b>	<b>QTY</b>
1	301-4338.PRT	RCJ65 - 89.06.1003 - Hetriconic ERGO RubbleCrusher US Kit	1
2	301-4267.PRT	RCJ65 HETRONIC NOVA REMOTE US FREQUENCY	1
3	301-4266.PRT	RCJ65 HETRONIC NOVA REMOTE EU FREQUENCY	1
4	301-4339.PRT	RCJ65 - 89.07.1002 - Hetriconic ERGO RubbleCrusher AU Kit	1
5	301-4337.PRT	RCJ65 - 89.05.1002 - Hetriconic ERGO RubbleCrusher EU Kit	1

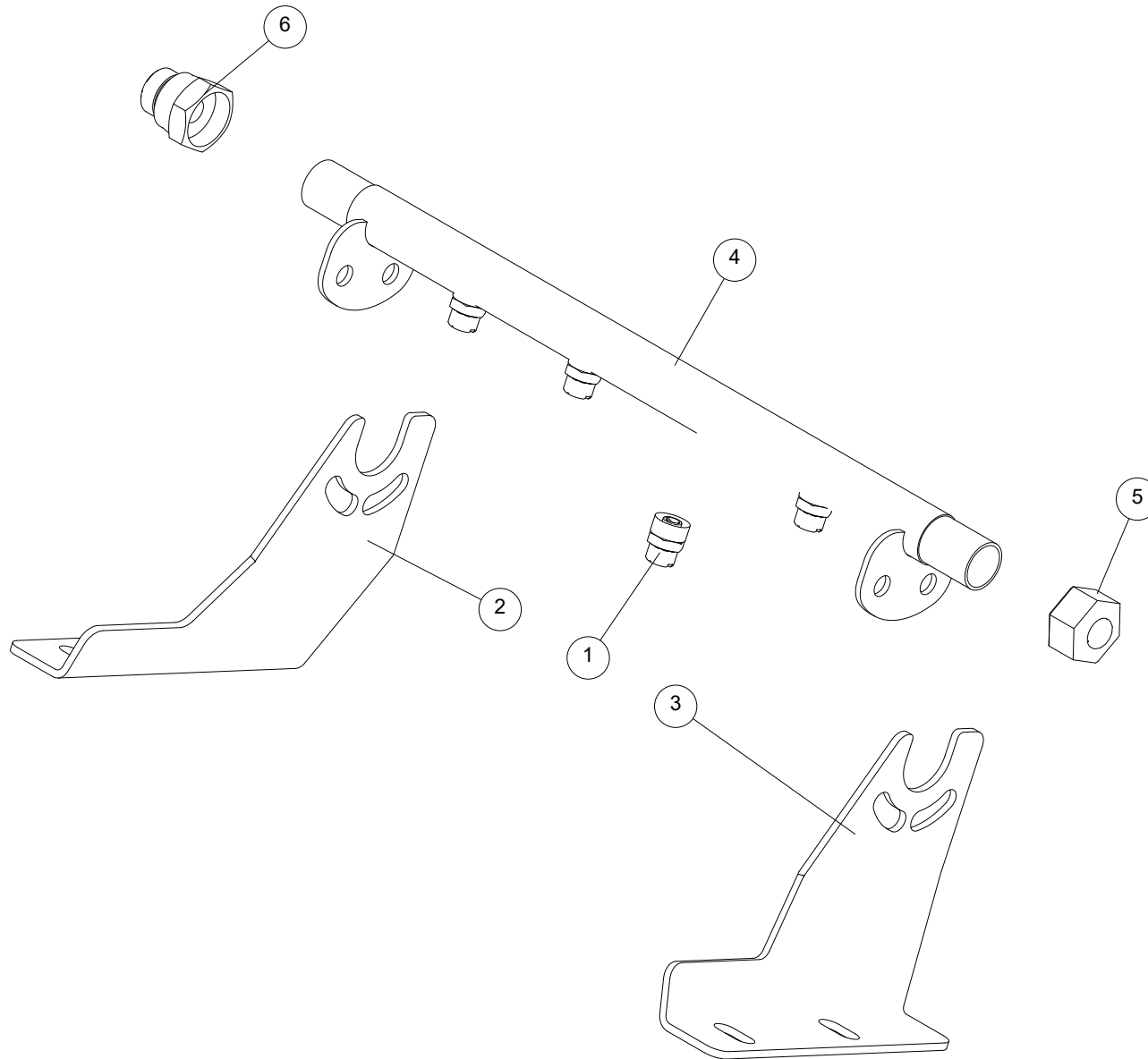
## 2.12 Optional - Spray Bar

---



Intentionally Left Blank.

**(1) Optional - Spray Bar Assembly**



---

ITEM	PART NUMBER	DESCRIPTION	QTY
1	301-3702.PRT	1/4" BRASS SPRAY NOZZLE	4
2	525-004-100-002.PRT	SPRAYBAR BRK LHS	1
3	525-004-100-001.PRT	SPRAYBAR BRK RHS	1
4	525-004-101.ASM	RCJ65 WELDED SPRAYBAR	1
5	301-3704.PRT	1" FEMALE CAP ADAPTOR	1
6	301-3250.PRT	1" - 3/4"F/M REDUCING ADAPTOR	1

### 3 Record of Revision

---

Reason for change	Issue Number	From Machine	Date
Power Unit Chassis & Main Discharge Conveyor Updated.	2.0	RC-J65-0026	29 May 2025

Intentional Blank Page.





**RUBBLECRUSHER**

**RUBBLECRUSHER HQ**  
Little Alton Farm, The Altons, Ravenstone, Coalville,  
LE672AA  
Tel: +44 01530 563600  
Email: [info@rubblecrusher.com](mailto:info@rubblecrusher.com)